

Aiiki 6636 Acrylic Drop-in Bathtub

Model number:

102787-000-001-000

Dimensions: 66" x 36" x 23.5"

Installation: Drop-in

Material: Acrylic



Standard Features:

- Cube inspired lines with an urban touch and comfortable design
- Comfortable inclined backrests and maximized bathing well
- Drop-in installation with end drain
- Magnetic cushion available in black or white (optional)
- Magnet backed headrest for cushion. Factory installed only if cushion ordered on initial order

Systems:

- Hydrofeel
- Aerofeel
- Combined Hydrofeel/Aerofeel

Standard Colors:



White

Certifications

MAAX products adhere to one or more of the following certifications:



MAAX

Aiiki 6636 Acrylic Drop-in Bathtub

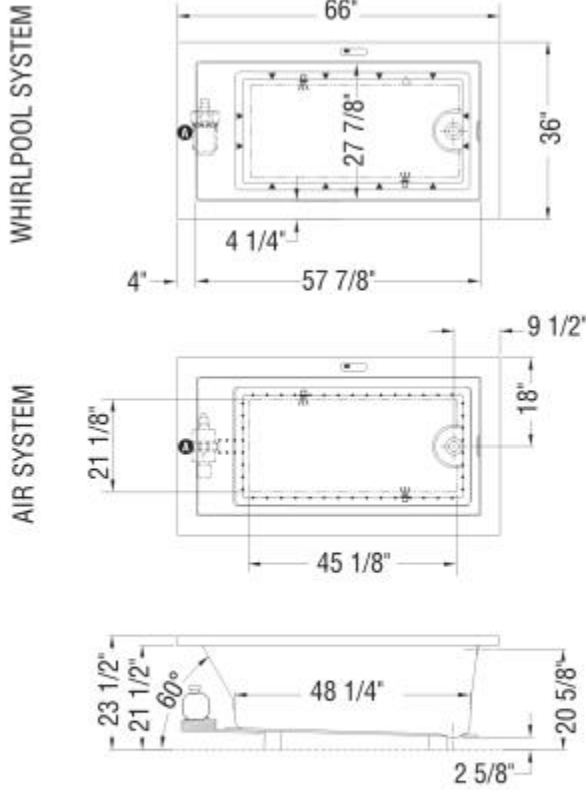
Model number:

102787-000-001-000

Dimensions: 66" x 36" x 23.5"

Installation: Drop-in

Material: Acrylic



Dimensions

66 x 36 x 23 1/2 In.
(1676 x 914 x 597 mm)

Weight

67 lbs - 30 kg

Drain location:

End

Note: Air backjets on same side as blower

- (▲): Indicates whirlpool jets positioning
- (△): Indicates suction positioning
- (•): Indicates airjets positioning
- (✖): Indicates chromatherapy light positioning
- (●): Indicates pump or blower positioning

Bathtub base includes anti-vibration Neutra-Phone leg supports (not shown).

All dimensions are approximate. Structure measurements must be verified against the unit to ensure proper fit.

Project: _____

Contractor: _____

Representative: _____

Date: _____

Tel: _____

Notes: _____

MAAX