

Riobel®

RR HOUSE OF ROHL

DESCRIPTION

- TMMRD46J - 3/4" Therm & Pressure Balance Trim With 6 Functions
- R46 - 3/4" Therm & Pressure Balance Rough-in Valve Multi-Function System
- 4861 - Handshower Rail
- 408 - 20 cm (8") Showerhead
- 554 - 40 cm (16") Wall Shower Arm
- 558 - 15 cm (6") Ceiling Shower Arm
- 337 - Body Jet
- 734 - Handshower Outlet

WARRANTY

- Most products or parts carry "Limited Warranties" against manufacturing defects. For US customers please visit houseofrohl.com/support and for Canadian customers please visit houseofrohl.ca/support for complete product and finish warranty.

SPECIFICATIONS



Shower Kit 446

MODELS: KIT446MMRDJ-CW

For warranty or additional information, contact:

U.S.A.
houseofrohl.com/support
 1-800-777-9762

QUEBEC / MARITIMES / WESTERN CANADA
 QUÉBEC / MARITIMES / OUEST CANADIEN
 QUEBEC / MARITIMOS / CANADA OCCIDENTAL
houseofrohl.ca/support
 1-866-473-8442

ONTARIO
houseofrohl.ca/support
 1-800-287-5354

Riobel

PERRIN & ROWE®
 LONDON



victoria ⊕ albert®

ROHL

Schaub

EMTEK.

DESCRIPTION

- Combines both thermostatic and pressure balance technologies
- 2 temperature and volume controls with diverters
- 4 dedicated functions and 2 shared functions
- Rough-in valve sold separately:
-Order R46 rough-in valve

FLOW

- 38 L/min, 10 gpm (US) 60psi

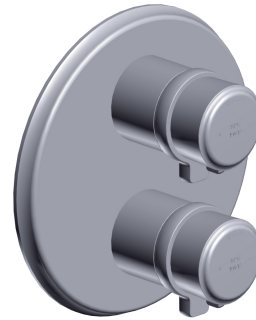
STANDARDS

- ASME A112.18.1/CSA B125.1
- NSF 61/9 & 372 Q ≤ 1
- ADA
- CEC

WARRANTY

- Most products or parts carry "Limited Warranties" against manufacturing defects. For US customers please visit houseofrohl.com/support and for Canadian customers please visit houseofrohl.ca/support for complete product and finish warranty.

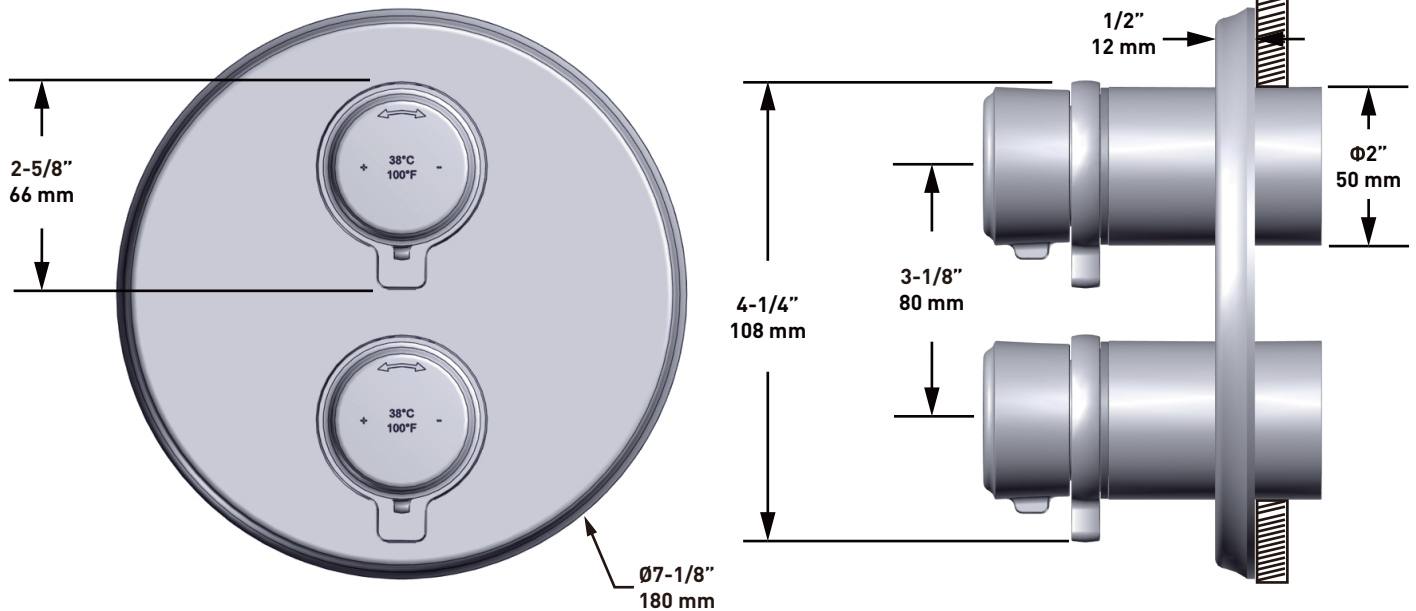
SPECIFICATIONS



Momenti™

3/4" Therm & Pressure Balance Trim With 6 Functions

MODELS: TMMRD46J



For warranty or additional information, contact:

U.S.A.
houseofrohl.com/support
1-800-777-9762

QUEBEC / MARITIMES / WESTERN CANADA
QUÉBEC / MARITIMES / OUEST CANADIEN
QUEBEC / MARITIMOS / CANADA OCCIDENTAL
houseofrohl.ca/support
1-866-473-8442

ONTARIO
houseofrohl.ca/support
1-800-287-5354



SPECIFICATIONS

DESCRIPTION

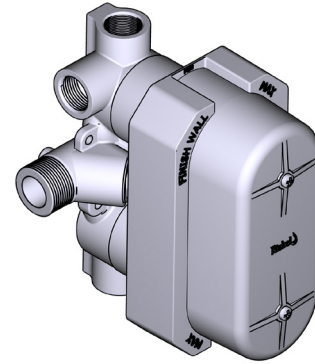
- Rough only
- 3/4" inlet male NPT
- Must be supplied with minimum 3/4" PEX, 3/4" EXPANSION PEX or 1/2" copper
- Four 1/2" outlets female NPT
- Service valves
- Test cap
- TXX46XX or TXX88XX trim required to complete

STANDARDS

- CSA B125.1
- ASME A112.18.1
- ASSE 1016
- CMR248 Approval

WARRANTY

- Most products or parts carry "Limited Warranties" against manufacturing defects. For US customers please visit houseofrohl.com/support and for Canadian customers please visit riobel.ca for complete product and finish warranty.

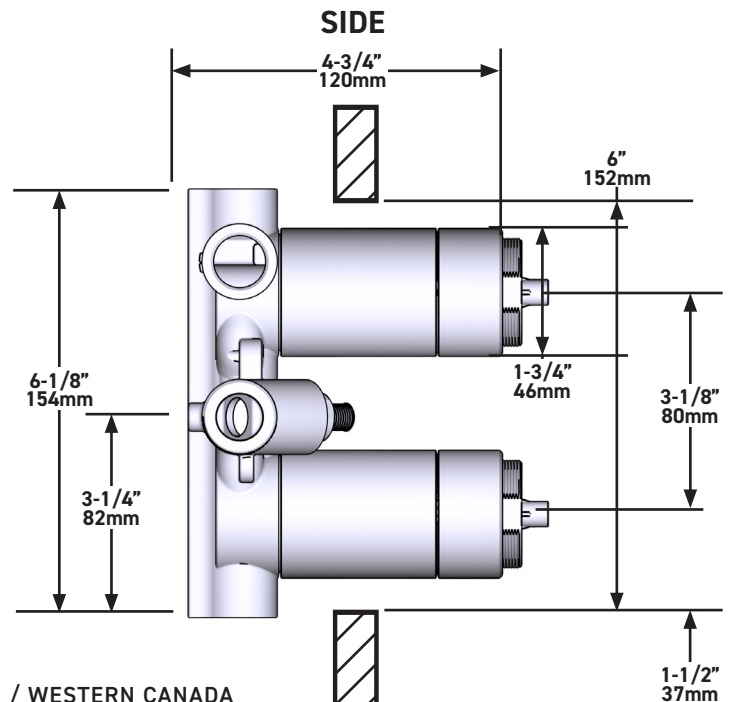
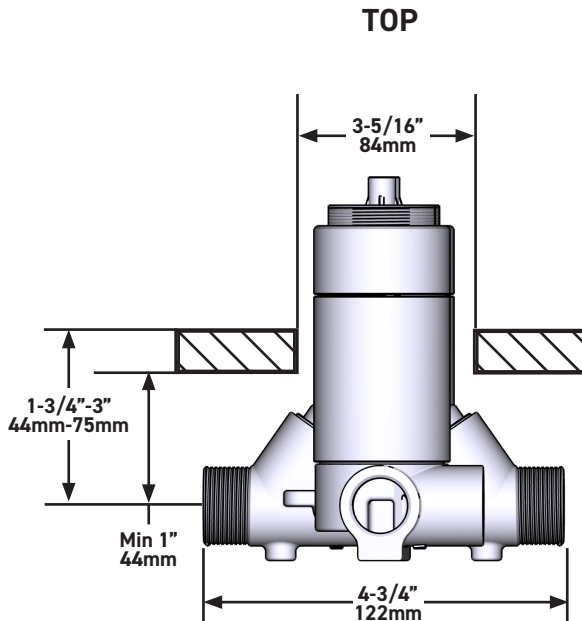


R46

4-Way Type T/P 3/4" Coaxial Valve Rough

MODELS: R46

UPC®



U.S.A.
HOUSEOFROHL.COM
1-800-777-9762

QUEBEC / MARITIMES / WESTERN CANADA
QUÉBEC / MARITIMES / OUEST CANADIEN
QUEBEC / MARITIMOS / CANADA OCCIDENTAL
HOUSEOFROHL.CA
1-866-473-8442

ONTARIO
HOUSEOFROHL.CA
1-888-287-5354

A DISTINCTIVE MEMBER OF THE HOUSE OF ROHL
UN MEMBRE DISTINCTIF DE HOUSE OF ROHL
MIEMBRO DISTINTIVO DE LA FAMILIA HOUSE OF ROHL

SPECIFICATIONS

DESCRIPTION

- 4370 3-function handshower
- Complements Momenti™ collection
- Ø 3/4" (19mm) slide bar
- 59" (150 cm) shower hose with 2 check valves

FLOW

- 7.6 L/min (2 gpm) (80psi) max / 5.7 L/min (1.5 gpm) (45 psi) min
- 6.8 L/min (1.8 gpm) (80psi) max / 5.1 L/min (1.3 gpm) (45 psi) min (4861-WS)

STANDARDS

- ASME A112.18.1 / CSA B125.1

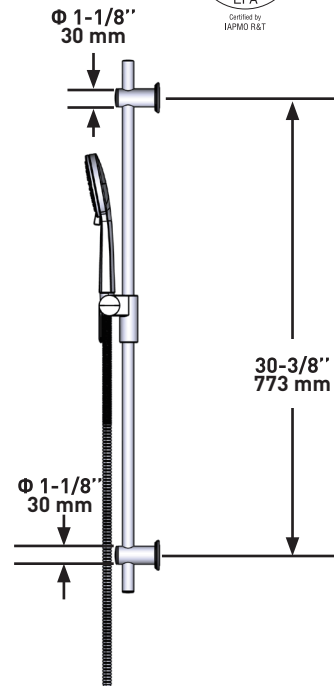
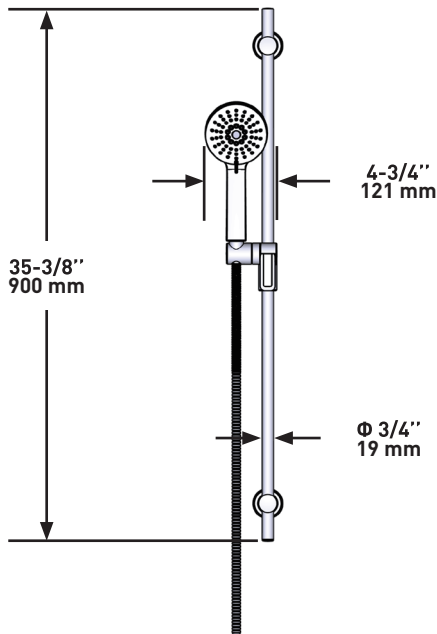
WARRANTY

- Most products or parts carry "Limited Warranties" against manufacturing defects. For US customers please visit houseofrohl.com/support and for Canadian customers please visit houseofrohl.ca/support for complete product and finish warranty.



Handshower Set With 35" Slide Bar and 3-Function Handshower

MODELS: 4861



For warranty or additional information, contact:

U.S.A.
houseofrohl.com/support
 1-800-777-9762

QUEBEC / MARITIMES / WESTERN CANADA
 QUÉBEC / MARITIMES / OUEST CANADIEN
 QUEBEC / MARITIMOS / CANADA OCCIDENTAL
houseofrohl.ca/support
 1-866-473-8442

ONTARIO
houseofrohl.ca/support
 1-800-287-5354

SPECIFICATIONS

DESCRIPTION

- 1 function

FLOW

- 7.6 L/min (2 gpm) (80psi) max / 5.7 L/min (1.5 gpm) (45 psi) min
- 5.7L/min (1.5 gpm) (80psi) max / 4.2 L/min (1.1gpm) (45 psi) min [408-15]
- 6.8L/min (1.8 gpm) (80psi) max / 5.1 L/min (1.3 gpm) (45 psi) min [408-WS]

STANDARDS

- ASME A112.18.1 / CSA B125.1

WARRANTY

- Most products or parts carry "Limited Warranties" against manufacturing defects. For US customers please visit houseofrohl.com/support and for Canadian customers please visit houseofrohl.ca/support for complete product and finish warranty.

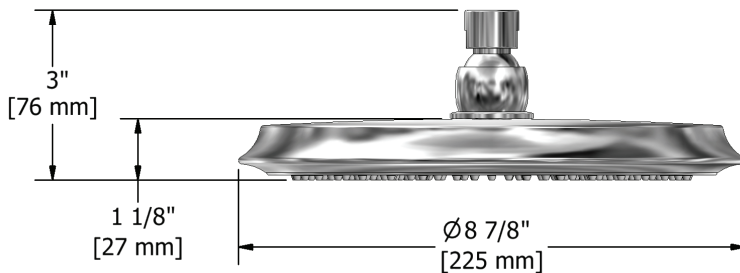


9" Rain Showerhead

MODELS: 408



UPC®



For warranty or additional information, contact:

U.S.A.
houseofrohl.com/support
1-800-777-9762

QUEBEC / MARITIMES / WESTERN CANADA
QUÉBEC / MARITIMES / OUEST CANADIEN
QUEBEC / MARITIMOS / CANADA OCCIDENTAL
houseofrohl.ca/support
1-866-473-8442

ONTARIO
houseofrohl.ca/support
1-800-287-5354

Riobel

PERRIN & ROWE®
LONDON



victoria ⊕ albert®

ROHL

Schaub

EMTEK.

SPECIFICATIONS

DESCRIPTION

- 1/2" inlet male NPT
- Momenti flange
- Escutcheon included

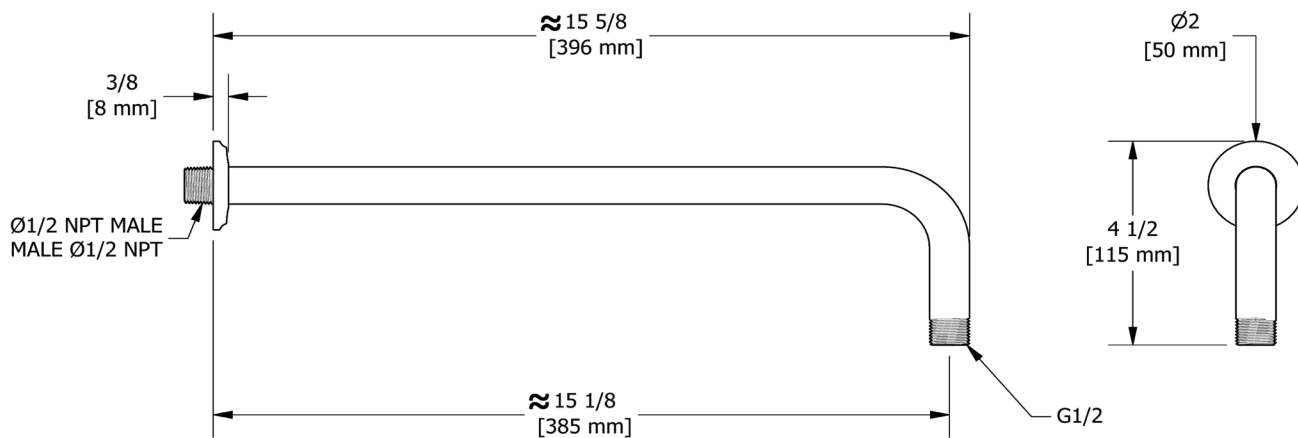
WARRANTY

- Most products or parts carry "Limited Warranties" against manufacturing defects. For US customers please visit houseofrohl.com/support and for Canadian customers please visit houseofrohl.ca/support for complete product and finish warranty.



16" Reach Wall Mount Shower Arm

MODEL: 554



For warranty or additional information, contact:

U.S.A.
houseofrohl.com/support
 1-800-777-9762

QUEBEC / MARITIMES / WESTERN CANADA
 QUÉBEC / MARITIMES / OUEST CANADIEN
 QUEBEC / MARITIMOS / CANADA OCCIDENTAL
houseofrohl.ca/support
 1-866-473-8442

ONTARIO
houseofrohl.ca/support
 1-800-287-5354

Riobel

PERRIN & ROWE®
 LONDON



victoria ⊕ albert®

ROHL

SPECIFICATIONS

DESCRIPTION

- 1/2 NPT inlet male
- Shower arm with Momenti flange

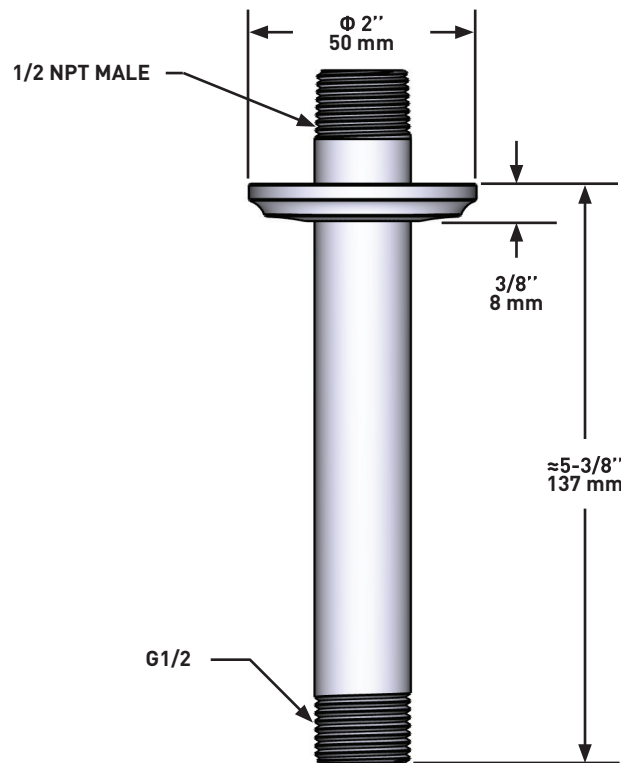
WARRANTY

- Most products or parts carry "Limited Warranties" against manufacturing defects. For US customers please visit houseofrohl.com/support and for Canadian customers please visit houseofrohl.ca/support for complete product and finish warranty.



15 cm (6") vertical shower arm

MODELS: 558



For warranty or additional information, contact:

U.S.A.
houseofrohl.com/support
 1-800-777-9762

QUEBEC / MARITIMES / WESTERN CANADA
 QUÉBEC / MARITIMES / OUEST CANADIEN
 QUEBEC / MARITIMOS / CANADA OCCIDENTAL
houseofrohl.ca/support
 1-866-473-8442

ONTARIO
houseofrohl.ca/support
 1-800-287-5354

Riobel

PERRIN & ROWE®
 LONDON



victoria ⊕ albert®

ROHL

Schaub

EMTEK.

SPECIFICATIONS

DESCRIPTION

- Scale-free
- 1/2" female inlet NPT
- Directional

FLOW

- 6.2 L/min, 1.6 gpm (US) 60psi

STANDARDS

- CSA B125.1
- ASME A112.18.1

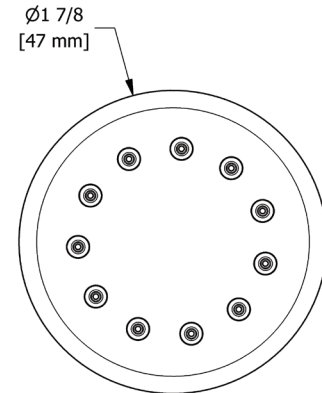
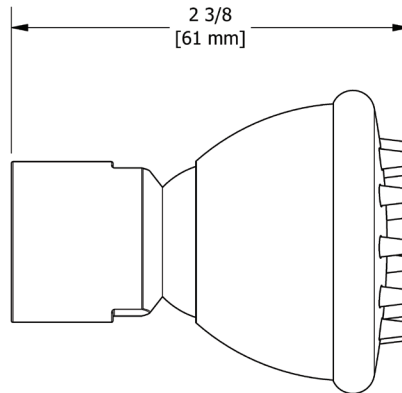
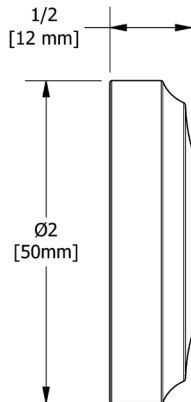
WARRANTY

- Most products or parts carry "Limited Warranties" against manufacturing defects. For US customers please visit houseofrohl.com/support and for Canadian customers please visit houseofrohl.ca/support for complete product and finish warranty.



Body Jet

MODEL: 337



For warranty or additional information, contact:

U.S.A.
houseofrohl.com/support
1-800-777-9762

QUEBEC / MARITIMES / WESTERN CANADA
QUÉBEC / MARITIMES / OUEST CANADIEN
QUEBEC / MARITIMOS / CANADA OCCIDENTAL
houseofrohl.ca/support
1-866-473-8442

ONTARIO
houseofrohl.ca/support
1-800-287-5354

Riobel

PERRIN & ROWE
LONDON



victoria ⊕ albert®

ROHL

Schaub

EMTEK.

SPECIFICATIONS

DESCRIPTION

- Complements Momenti™ collection and other transitional designs
- Adjustable
- 1/2" outlet male; 1/2" inlet female NPT

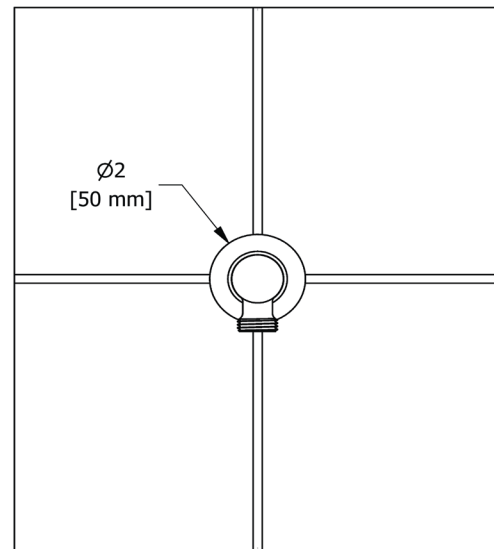
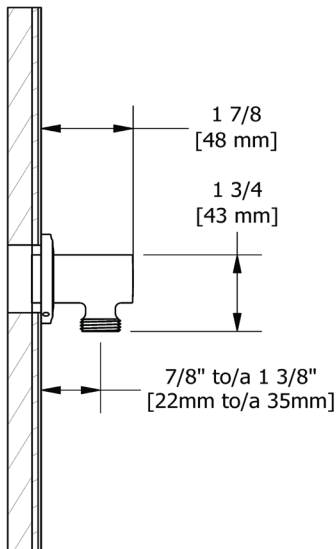
WARRANTY

- Most products or parts carry "Limited Warranties" against manufacturing defects. For US customers please visit houseofrohl.com/support and for Canadian customers please visit houseofrohl.ca/support for complete product and finish warranty.



Handshower Outlet

MODEL: 734



For warranty or additional information, contact:

U.S.A.
houseofrohl.com/support
1-800-777-9762

QUEBEC / MARITIMES / WESTERN CANADA
QUÉBEC / MARITIMES / OUEST CANADIEN
QUEBEC / MARITIMOS / CANADA OCCIDENTAL
houseofrohl.ca/support
1-866-473-8442

ONTARIO
houseofrohl.ca/support
1-800-287-5354

Riobel

PERRIN & ROWE
LONDON



victoria ⊕ albert®

ROHL