

# Riobel®

RR HOUSE OF ROHL.

## DESCRIPTION

- TMMRD44J - 1/2" Therm & Pressure Balance Trim With 2 Functions
- 4861 - Handshower Rail
- 734 - Handshower Outlet
- MM80 - Wall Mount Tub Spout

## WARRANTY

- Most products or parts carry "Limited Warranties" against manufacturing defects. For US customers please visit [houseofrohl.com/support](http://houseofrohl.com/support) and for Canadian customers please visit [houseofrohl.ca/support](http://houseofrohl.ca/support) for complete product and finish warranty.

## SPECIFICATIONS



Shower Kit 1244 Trim

**MODELS:** TKIT1244MMRDJ

### For warranty or additional information, contact:

U.S.A.  
[houseofrohl.com/support](http://houseofrohl.com/support)  
 1-800-777-9762

QUEBEC / MARITIMES / WESTERN CANADA  
 QUÉBEC / MARITIMES / OUEST CANADIEN  
 QUEBEC / MARITIMOS / CANADA OCCIDENTAL  
[houseofrohl.ca/support](http://houseofrohl.ca/support)  
 1-866-473-8442

ONTARIO  
[houseofrohl.ca/support](http://houseofrohl.ca/support)  
 1-800-287-5354

Riobel

PERRIN & ROWE®  
 LONDON



victoria ⊕ albert®

ROHL

Schaub

EMTEK.

**DESCRIPTION**

- Combines both thermostatic and pressure balance technologies
- “Set it and forget it” temperature control
- 2 dedicated functions
- Rough-in valve sold separately:  
-Order R23 rough-in valve

**FLOW**

- 23 L/min, 6.0 gpm (US) 60psi

**STANDARDS**

- ASME A112.18.1/CSA B125.1
- NSF 61/9 & 372 Q ≤ 1
- ADA
- CEC

**WARRANTY**

- Most products or parts carry “Limited Warranties” against manufacturing defects. For US customers please visit [houseofrohl.com/support](http://houseofrohl.com/support) and for Canadian customers please visit [houseofrohl.ca/support](http://houseofrohl.ca/support) for complete product and finish warranty.

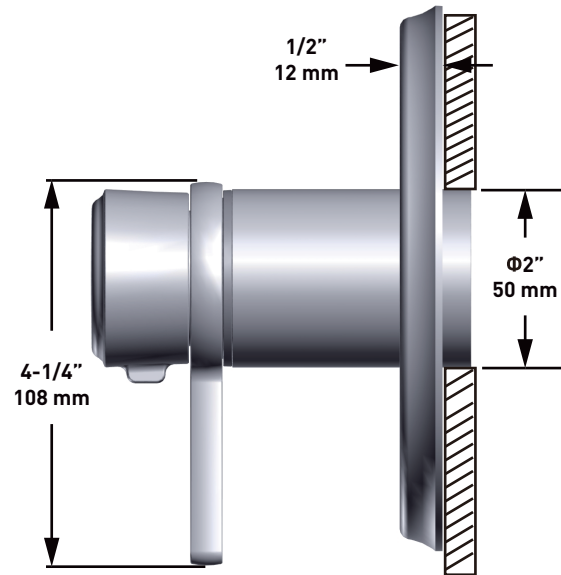
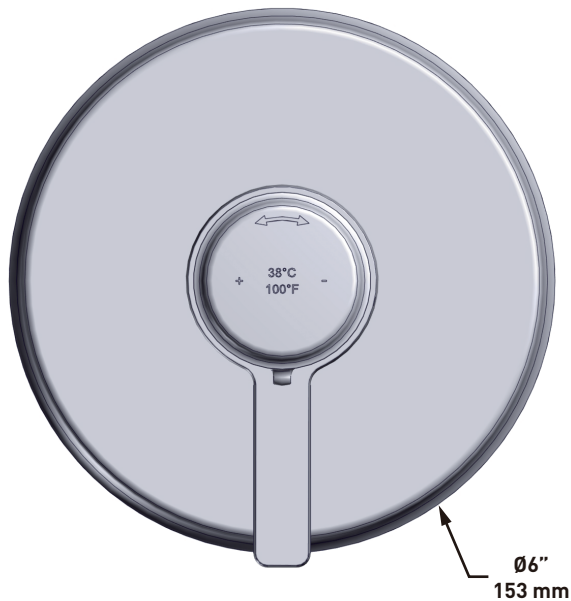
## SPECIFICATIONS



**Momenti™**

1/2" Therm & Pressure Balance Trim With 2 Functions

**MODELS:** TMMRD44J



**For warranty or additional information, contact:**

U.S.A.  
[houseofrohl.com/support](http://houseofrohl.com/support)  
1-800-777-9762

QUEBEC / MARITIMES / WESTERN CANADA  
QUÉBEC / MARITIMES / OUEST CANADIEN  
QUEBEC / MARITIMOS / CANADA OCCIDENTAL  
[houseofrohl.ca/support](http://houseofrohl.ca/support)  
1-866-473-8442

ONTARIO  
[houseofrohl.ca/support](http://houseofrohl.ca/support)  
1-800-287-5354

## SPECIFICATIONS

### DESCRIPTION

- 4370 3-function handshower
- Complements Momenti™ collection
- Ø 3/4" (19mm) slide bar
- 59" (150 cm) shower hose with 2 check valves

### FLOW

- 7.6 L/min (2 gpm) (80psi) max / 5.7 L/min (1.5 gpm) (45 psi) min
- 6.8 L/min (1.8 gpm) (80psi) max / 5.1 L/min (1.3 gpm) (45 psi) min (4861-WS)

### STANDARDS

- ASME A112.18.1 / CSA B125.1

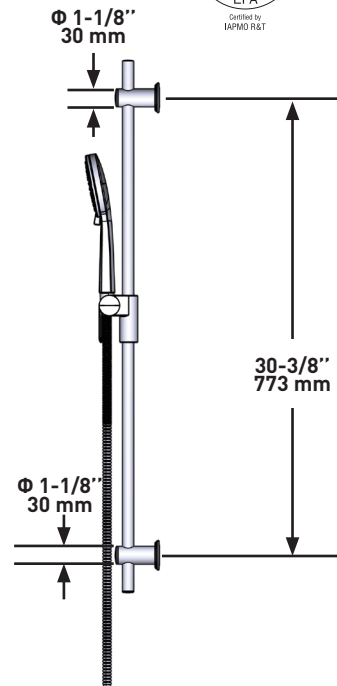
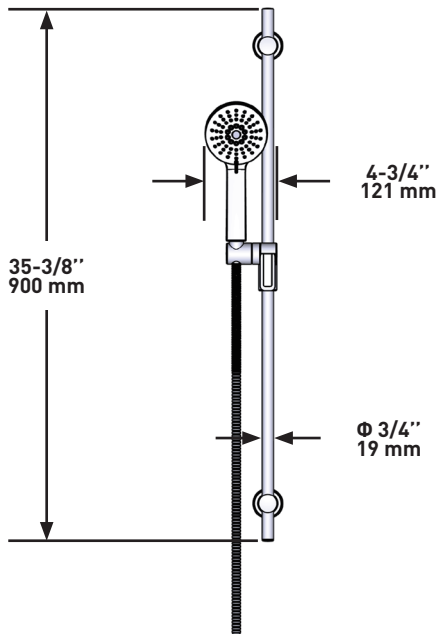
### WARRANTY

- Most products or parts carry "Limited Warranties" against manufacturing defects. For US customers please visit [houseofrohl.com/support](http://houseofrohl.com/support) and for Canadian customers please visit [houseofrohl.ca/support](http://houseofrohl.ca/support) for complete product and finish warranty.



Handshower Set With 35" Slide Bar and 3-Function Handshower

**MODELS:** 4861



**For warranty or additional information, contact:**

U.S.A.  
[houseofrohl.com/support](http://houseofrohl.com/support)  
 1-800-777-9762

QUEBEC / MARITIMES / WESTERN CANADA  
 QUÉBEC / MARITIMES / OUEST CANADIEN  
 QUEBEC / MARITIMOS / CANADA OCCIDENTAL  
[houseofrohl.ca/support](http://houseofrohl.ca/support)  
 1-866-473-8442

ONTARIO  
[houseofrohl.ca/support](http://houseofrohl.ca/support)  
 1-800-287-5354

## SPECIFICATIONS

### DESCRIPTION

- Complements Momenti™ collection and other transitional designs
- Adjustable
- 1/2" outlet male; 1/2" inlet female NPT

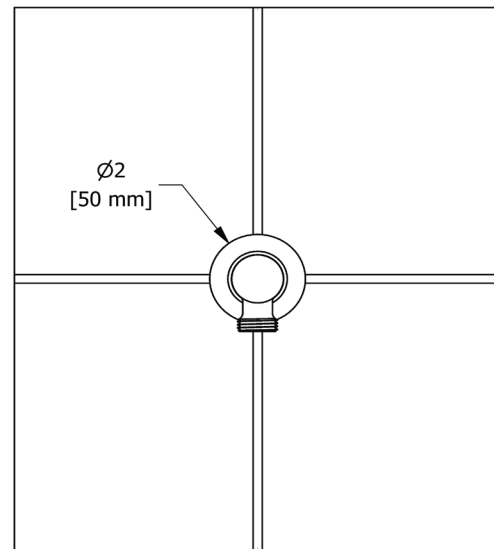
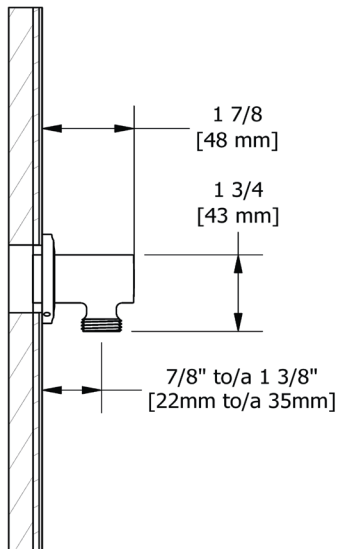
### WARRANTY

- Most products or parts carry "Limited Warranties" against manufacturing defects. For US customers please visit [houseofrohl.com/support](http://houseofrohl.com/support) and for Canadian customers please visit [houseofrohl.ca/support](http://houseofrohl.ca/support) for complete product and finish warranty.



Handshower Outlet

**MODEL:** 734



**For warranty or additional information, contact:**

U.S.A.  
[houseofrohl.com/support](http://houseofrohl.com/support)  
 1-800-777-9762

QUEBEC / MARITIMES / WESTERN CANADA  
 QUÉBEC / MARITIMES / OUEST CANADIEN  
 QUEBEC / MARITIMOS / CANADA OCCIDENTAL  
[houseofrohl.ca/support](http://houseofrohl.ca/support)  
 1-866-473-8442

ONTARIO  
[houseofrohl.ca/support](http://houseofrohl.ca/support)  
 1-800-287-5354

**DESCRIPTION**

- 1/2" copper slip fit inlet
- Metal Construction

**STANDARDS**

- ASME A112.18.1/CSA B125.1

**WARRANTY**

- Most products or parts carry "Limited Warranties" against manufacturing defects. For US customers please visit [houseofrohl.com/support](http://houseofrohl.com/support) and for Canadian customers please visit [houseofrohl.ca/support](http://houseofrohl.ca/support) for complete product and finish warranty.

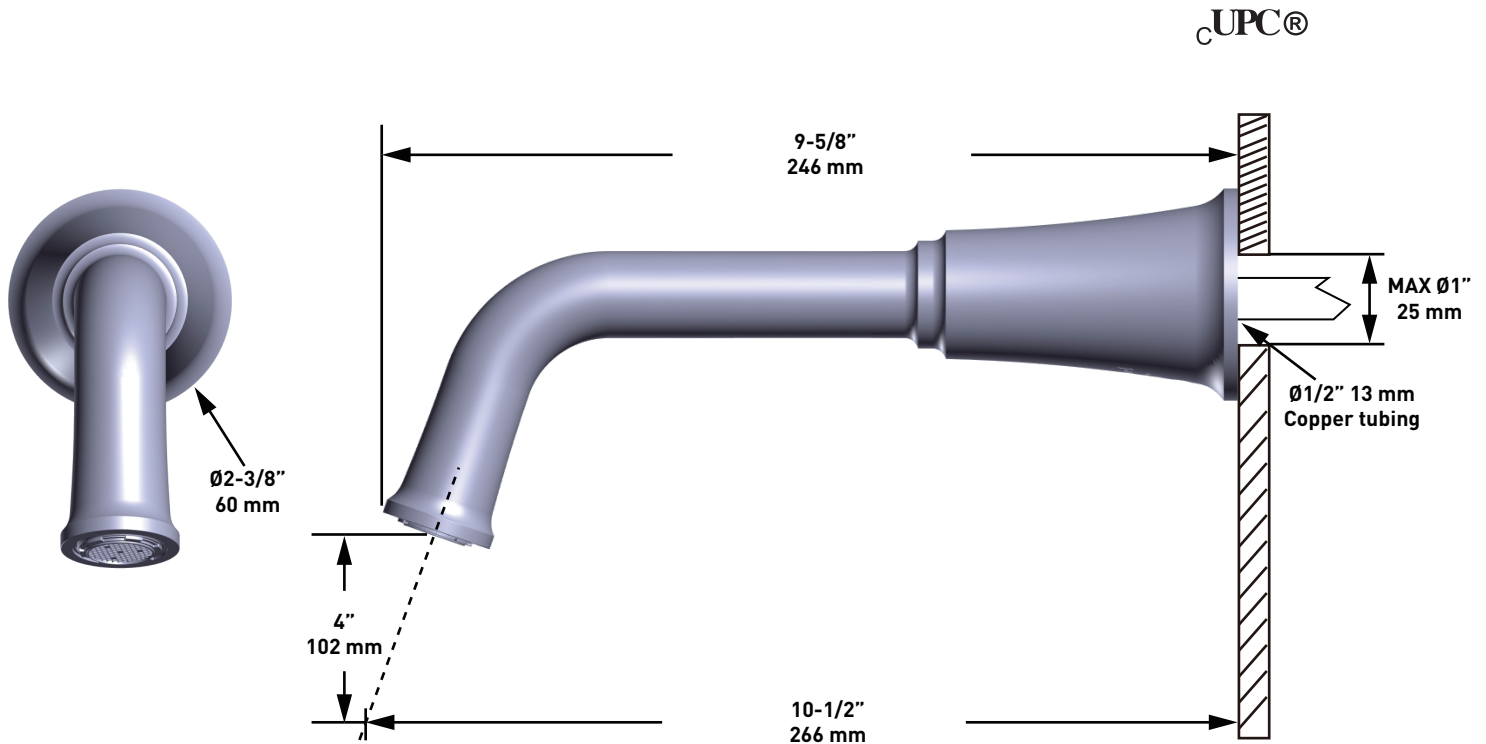
## SPECIFICATIONS



**Momenti™**

Wall Mount Tub Spout

**MODELS:** MM80



**For warranty or additional information, contact:**

U.S.A.  
[houseofrohl.com/support](http://houseofrohl.com/support)  
 1-800-777-9762

QUEBEC / MARITIMES / WESTERN CANADA  
 QUÉBEC / MARITIMES / OUEST CANADIEN  
 QUEBEC / MARITIMOS / CANADA OCCIDENTAL  
[houseofrohl.ca/support](http://houseofrohl.ca/support)  
 1-866-473-8442

ONTARIO  
[houseofrohl.ca/support](http://houseofrohl.ca/support)  
 1-800-287-5354