

MS603\*  
MS604\*  
MS608\*  
MS618\*  
MS634\*  
MS814\*  
MS853\*  
MS854\*

MS856\*  
MS863\*  
MS864\*  
CST604\*  
CST608\*  
CST618\*  
CST634\*



\* with different options.

#### Warranty Registration and Inquiry

For product warranty registration, TOTO U.S.A. Inc. recommends online warranty registration. Please visit our web site <http://www.totousa.com>. If you have questions regarding warranty policy or coverage, please contact TOTO U.S.A. Inc., Customer Service Department, 1155 Southern Road, Morrow, GA 30260 (888) 295-8134 or (678) 466-1300 when calling from outside of U.S.A.

## TABLE OF CONTENTS

|  |   |
|--|---|
| Thanks for Choosing TOTO! .....        | 2 |
| Common Tools Needed .....              | 2 |
| Included Parts .....                   | 2 |
| Care and Cleaning .....                | 2 |
| Before Installation .....              | 3 |
| Installation Procedure .....           | 3 |
| Maintenance Instructions .....         | 5 |
| CEFIONTECT® Cleaning Instructions..... | 7 |
| Warranty .....                         | 8 |

## THANKS FOR CHOOSING TOTO!

The mission of TOTO is to provide the world with healthy, hygienic and more comfortable lifestyles. We design every product with the balance of form and function as a guiding principle. Congratulations on your choice.

## COMMON TOOLS NEEDED

- |  |   |
|--|---|
| <ul style="list-style-type: none"> <li>• 10" pipe wrench</li> <li>• Carpenter's Level</li> <li>• Tape Measure</li> <li>• Pliers</li> </ul> | <ul style="list-style-type: none"> <li>• Screwdriver</li> <li>• Putty Knife</li> <li>• Hacksaw</li> </ul> |
|--|---|

### MATERIALS REQUIRED:

- |   |  |
|---|--|
| <ul style="list-style-type: none"> <li>• Flexible Supply Tube / Connector</li> <li>• Supply Stop Valve</li> </ul> | <ul style="list-style-type: none"> <li>• Mounting (T) Bolts &amp; Nuts (2pc)</li> <li>• Wax Ring / Seal</li> </ul> |
|---|--|

## INCLUDED PARTS

Check to make sure you have all these parts from the package:



China bowl



Toilet Seat Set



a. Caps (plastic) - 2    b. Base (plastic) - 2

## CARE AND CLEANING

### **WARNING!**

**DO NOT USE IN-TANK BOWL CLEANERS.**

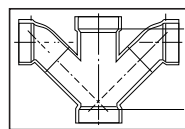
The use of high concentration of chlorine or chlorine-related products can seriously damage fittings in the tank. This damage can cause leakage and property damage. TOTO shall not be responsible or liable for any tank fitting failure or damage caused by the use of in-tank bowl cleaners.

## BEFORE INSTALLATION

- Read these instructions thoroughly before beginning work. Please leave instructions for customers.
- These instruction contain maintenance and warranty information.
- If necessary, remove the existing toilet.

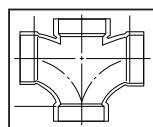
### IMPORTANT!

Due to the powerful performance of our Cyclone, G-Max, E-Max and Power Gravity flushing systems, they are not specified for back-to-back installations. The only means of installing these toilets in a back-to-back situation is when the toilet drain connections incorporate a WYE fitting. Please contact your builder or contractor prior to this installation.



Double Combination WYE / 1/8 Bend

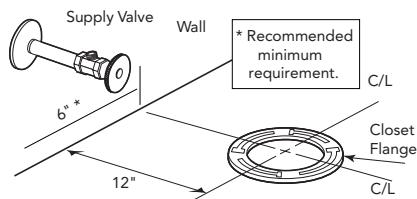
YES



Double Sanitary Tee / Sanitary Cross

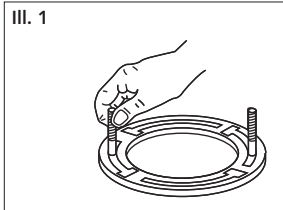
NO

In order for your new TOTO toilet to fit correctly, check the dimensions below:

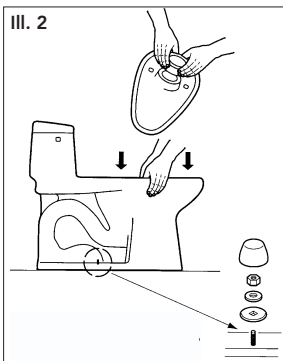


## INSTALLATION PROCEDURE

1) Clean any debris out of the closet flange, then install the mounting bolts into the slots of the flange (see Illustration 1). The bolt should be inserted into the slot with its head down and threaded shank pointed upward.



2) Carefully turn the toilet upside down on some padding. Firmly press a new wax seal (not supplied) onto the circular recess around the outlet opening. Turn the toilet upright and gently lower it into position over closet flange & bolts. With the toilet properly aligned, press down firmly on both sides of toilet rim to seat wax seal.



**CAUTION:** Do not move toilet after the wax seal is set.

3) Insert the cap base, washer and thread nuts onto the bolts and hand tighten. Then tighten the bolts an additional 1/2 turn. Install the bolt caps. (see Ill. 2).

**NOTE:** check that cap does not fit properly, check that cap base has the correct side up indicated by THIS END UP (THIS PART UP). Or check for interference of the mounting bolt with the cap. Carefully cut the bolt length to allow the cap to fit.

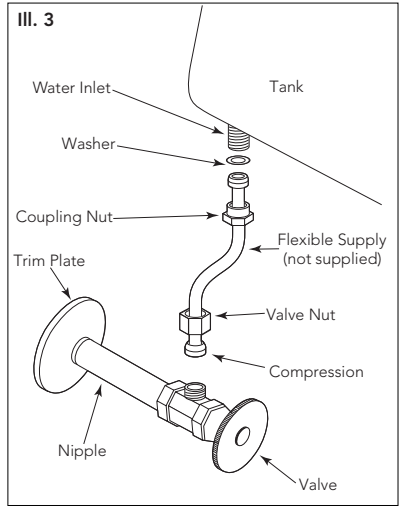
**WARNING!** Do not over-tighten the nuts. Damage to china or plastic parts may result.

## INSTALLATION PROCEDURE

- 4) Flush water through the flexible supply (not supplied) prior to connection at ballcock/fill valve. Run water into a bucket or similar catch basin until all debris/minerals have cleared the flexible supply, to ensure that the fill valve does not become contaminated. Connect the flexible supply to the ballcock/fill valve shank using a flexible chrome-copper tube connector or equivalent (see Ill. 3).

**CAUTION:** Do not over-tighten the nut at the fill valve.

Open the supply stop, checking for leakage. Slightly re-tighten if necessary. The water supply pressure should be 20 to 80 psi static. (Trim Plate, Nipple, Valve & Flexible Supply - not supplied.)



- 5) **NOTE:** No ballcock / fill valve adjustments are needed. The water will automatically stop at proper level.

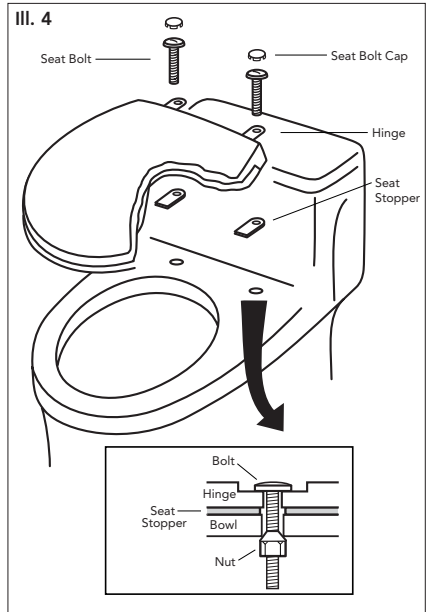
Flush the toilet several times. Check drain valve for proper operation.

Make sure that chain is not tangled and drain valve is in its proper position.

- 6) Install the toilet tank lid onto the toilet tank top.
- 7) Install the toilet seat onto the toilet bowl (see Ill. 4). (Top Mount Bolt Set is included with the bowl). Insert the rubber bushing nuts into the bowl seat holes.

**NOTE:** Remove the existing seat if necessary.

Place the seat on the bowl and rotate the hinge unit into place while holding seat down on the bowl. Fasten and tighten the bolt from the top with a screwdriver. Replace the bolt cap and the lower lid (if necessary).



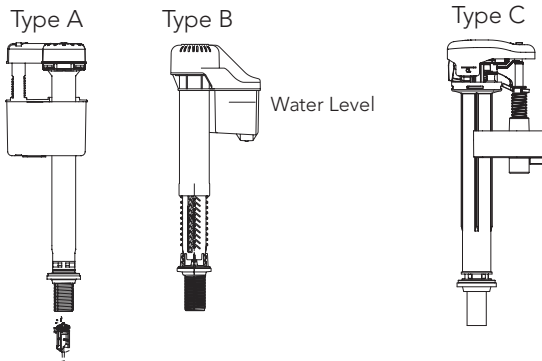
# MAINTENANCE INSTRUCTIONS

## Replacing the Fill Valve

- 1) Shut off the water supply to the toilet.
- 2) Flush toilet and remove remaining water from tank with a sponge.
- 3) Remove the water supply connection at the fill valve.
- 4) Remove old fill valve and use damp sponge to clean hole in tank.
- 5) Place new fill valve inside tank hole.
- 6) Thread mounting nut onto fill valve shank and tighten the nut.  
**NOTE:** Do not over-tighten. Be sure to install fill valve in a position that does not interfere with the trip lever operation.
- 7) Connect water supply to fill valve shank and hand-tighten only.  
**NOTE:** Do not overtighten. These are plastic parts. Never use pipe dope on any water supply connection.
- 8) Attach refill tube to fill valve nipple and clip other end of refill tube to the overflow pipe.
- 9) Turn water supply ON and check for leaks outside the tank.  
**NOTE:** As water fills the tank, water is also directed into the overflow tube via the refill tube. This additional flow of water is critical to refilling your toilet's bowl. Once the water stops filling the tank, some residual drops of water may drip from the fill valve. This is NORMAL as these drops will subside.

## Water Level Adjustment

Depending on the manufacturing plant, you may have one of the following fill valves:

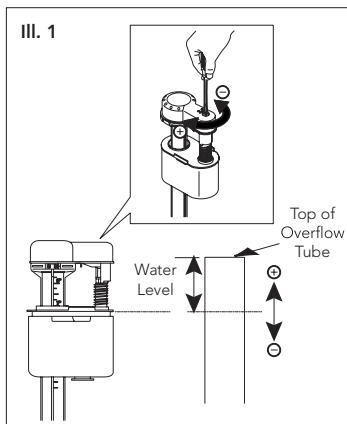


For Type A and Type C Fill Valve:

Refer to the water level (WL) setting marked on the inner wall of the tank. Allow the water to fill the tank. Turn the adjustment screw clockwise in the (+) direction to increase the water level height (see Illustration 1). Turn the adjustment screw counter-clockwise in the (-) direction to decrease the water level height. Flush the toilet to verify the correct water level. Adjust as necessary.

For Type B Fill Valve:

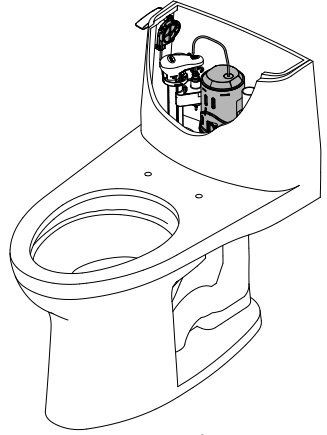
There are no water level adjustments. The fill valve has been preset at the factory.



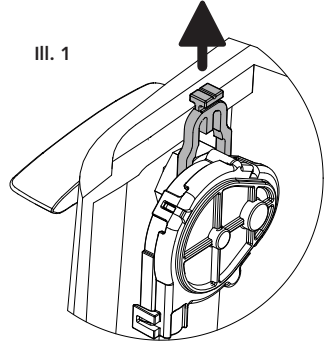
# MAINTENANCE INSTRUCTIONS

## Replacing the Flush Valve (CST604CUF\* & CST814CUF\* Models)

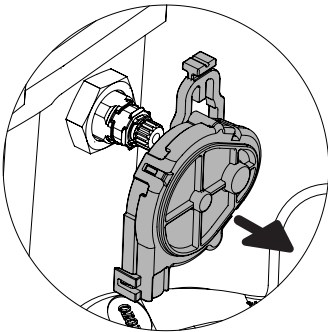
- 1) Turn off water supply and flush the toilet. Remove the remaining water from tank with a sponge.
- 2) Remove the tank lid and place it upside down on a clean surface.
- 3) Pull the clip on top of trip lever gear box as shown. (see III.1)
- 4) Pull gear box away and set on the side as shown. (see III. 2).
- 5) Rotate and pull up on the flush tower to remove it. (see III. 3).
- 6) Remove the grey rubber seal gasket and rinse under running water to clean. (see III. 4).
- 7) Place the gasket back on the flush tower.
- 8) Align and place the flush tower into housing and gently press to snap and to lock into place.
- 9) Replace the trip lever gear box and push down on lever to lock it in place.
- 10) Carefully install the tank lid back on the tank.
- 11) Flush the toilet several times making sure the trip lever operates normally.
- 12) Check the water level in the tank and leak.



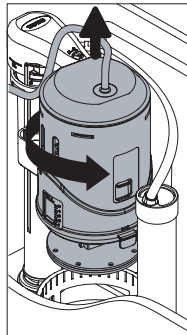
III. 1



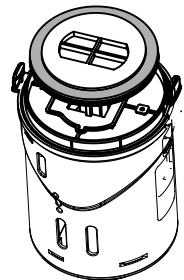
III. 2



III. 3



III. 4

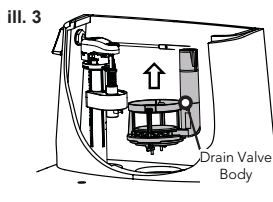
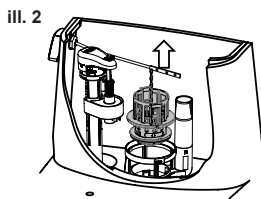
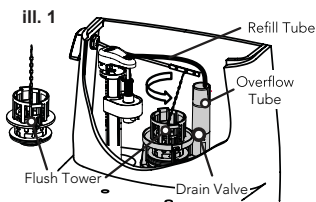


\* denotes other options

## MAINTENANCE INSTRUCTIONS

### Replacing the Drain Valve

- 1) Shut off the water supply.
- 2) Flush the toilet to remove the water inside the tank.
- 3) Remove the tank lid and place somewhere safe.  
**NOTE:** Before removing anything from the tank, note the placement of the drain valve, chain and refill tube.
- 4) Unhook the refill tube from the overflow tube of the drain valve.
- 5) Unlock the flush tower unit by turning counter-clockwise with the chain hook still attached to the trip lever (ill. 1).
- 6) Unhook the chain from the trip lever and remove the flush tower unit (ill. 2).
- 7) Unscrew the screws from the drain valve body.  
**IMPORTANT:** Make sure not to turn more than seven full turns as the black mounting block can fall into the water channel.
- 8) Remove the drain valve body from the tank (ill. 3).
- 9) Replace the drain valve in the same position as the former drain valve.
- 10) Tighten the screws, applying light torque on each screw before final torque on all the screws.
- 11) Install the flush tower unit onto the drain valve body and turn clockwise to lock the part.
- 12) Hook the chain back to its original location, and the refill tube.
- 13) Turn the water supply back on and check for any leak after the tank has been filled.



ENGLISH

## CEFIONTECT® CLEANING INSTRUCTIONS



### WHAT IS CEFIONTECT®?

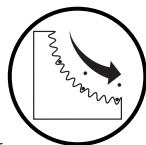
CEFIONTECT® is TOTO's super-smooth permanent glaze that prevents debris from sticking to surfaces. Products with the letter "G" in the number have the CEFIONTECT® glaze. This glaze, along with regular cleaning, will help keep your TOTO product in pristine condition.

#### NOTE:

For best results to keep your TOTO product with CEFIONTECT® clean:

- Lavatory: Use a mild dish detergent with a clean, soft cloth.
- Toilet: Use a gel based cleaner with a soft bristled-plastic brush.
- **Don't use** cleaners, polishing powders or detergents that have gritty or coarse particles.
- **Don't use** bleach, chemical thinners or products that have acid or alkaline detergents listed as ingredients.
- **Don't use** metal scrub brushes or steel wool.

Following these instructions will ensure that your TOTO product with the CEFIONTECT® glaze will always stay intact, keeping your product like new for years to come!



No CEFIONTECT®



With CEFIONTECT®



## WARRANTY

1. TOTO warrants its vitreous china products ("Product") to be free from defects in materials and workmanship during normal use when properly installed and serviced, for a period of one (1) year from date of purchase. This limited warranty is extended only to the ORIGINAL PURCHASER of the Product and is not transferable to any third party, including but not limited to any subsequent purchaser or owner of the Product. This warranty applies only to TOTO Product purchased and installed in North, Central and South America.
2. TOTO's obligations under this warranty are limited to repair, replacement or other appropriate adjustment, at TOTO's option, of the Product or parts found to be defective in normal use, provided that such Product was properly installed, used and serviced in accordance with instructions. TOTO reserves the right to make such inspections as may be necessary in order to determine the cause of the defect. TOTO will not charge for labor or parts in connection with warranty repairs or replacements. TOTO is not responsible for the cost of removal, return and/or reinstallation of the Product.
3. This warranty does not apply to the following items:
  - a. Damage or loss sustained in a natural calamity such as fire, earthquake, flood, thunder, electrical storm, etc.
  - b. Damage or loss resulting from any accident, unreasonable use, misuse, abuse, negligence, or improper care, cleaning, or maintenance of the Product.
  - c. Damage or loss resulting from sediments or foreign matter contained in a water system.
  - d. Damage or loss resulting from improper installation or from installation of the Product in a harsh and/or hazardous environment, or improper removal, repair or modification of the Product. (NOTE: Product model codes allow a maximum of 80 PSI. Check local codes or standards for requirements).
  - e. Damage or loss resulting from electrical surges or lightning strikes or other acts which are not the fault of TOTO or which the Product is not specified to tolerate.
  - f. Damage or loss resulting from normal and customary wear and tear, such as gloss reduction, scratching or fading over time due to use, cleaning practices or water or atmospheric conditions.
  - g. Tank flushing mechanisms of plastic or rubber moving parts.
  - h. Toilet seats of plastic, wood or metal.
4. In order for this limited warranty to be valid, proof of purchase is required. TOTO encourages warranty registration upon purchase to create a record of Product ownership at <http://www.totousa.com>. Product registration is completely voluntary and failure to register will not diminish your limited warranty rights.
5. THIS WARRANTY GIVES YOU SPECIFIC LEGAL RIGHTS. YOU MAY HAVE OTHER RIGHTS WHICH VARY FROM STATE TO STATE, PROVINCE TO PROVINCE OR COUNTRY TO COUNTRY.
6. To obtain warranty repair service under this warranty, you must take the Product or deliver it prepaid to a TOTO service facility together with proof of purchase (original sales receipt) and a letter stating the problem, or contact a TOTO distributor or products service contractor, or write directly to TOTO U.S.A., INC., 1155 Southern Road, Morrow, GA 30260 (678) 466-1300 or (888) 295-8134, if outside the U.S.A. If, because of the size of the Product or nature of the defect, the Product cannot be returned to TOTO, receipt by TOTO of written notice of the defect together with proof of purchase (original sales receipt) shall constitute delivery. In such case, TOTO may choose to repair the Product at the purchaser's location or pay to transport the Product to a service facility.

**WARNING!** TOTO shall not be responsible or liable for any failure of, or damage to, this Product caused by either chloramines in the treatment of public water supply or cleaners containing chlorine (calcium hypochlorite). NOTE: The use of a high concentrate chlorine or chlorine related products can seriously damage the fittings. This damage can cause leakage and serious property damage. For more information please call (888) 295-8134.

THIS WRITTEN WARRANTY IS THE ONLY WARRANTY MADE BY TOTO. REPAIR, REPLACEMENT OR OTHER APPROPRIATE ADJUSTMENT AS PROVIDED UNDER THIS WARRANTY SHALL BE THE EXCLUSIVE REMEDY AVAILABLE TO THE ORIGINAL PURCHASER. TOTO SHALL NOT BE RESPONSIBLE FOR LOSS OF THE PRODUCT OR FOR OTHER INCIDENTAL, SPECIAL OR CONSEQUENTIAL DAMAGES OR EXPENSES INCURRED BY THE ORIGINAL PURCHASER, OR FOR LABOR OR OTHER COSTS DUE TO INSTALLATION OR REMOVAL, OR COSTS OF REPAIRS BY OTHERS, OR FOR ANY OTHER EXPENSE NOT SPECIFICALLY STATED ABOVE. IN NO EVENT WILL TOTO'S RESPONSIBILITY EXCEED THE PURCHASE PRICE OF THE PRODUCT. EXCEPT TO THE EXTENT PROHIBITED BY APPLICABLE LAW, ANY IMPLIED WARRANTIES, INCLUDING THAT OF MERCHANTABILITY OR FITNESS FOR USE OR FOR A PARTICULAR PURPOSE, ARE EXPRESSLY DISCLAIMED. SOME STATES DO NOT ALLOW LIMITATIONS ON HOW LONG AN IMPLIED WARRANTY LASTS, OR THE EXCLUSION OR LIMITATION OF INCIDENTAL OR CONSEQUENTIAL DAMAGES, SO THE ABOVE LIMITATION AND EXCLUSION MAY NOT APPLY TO YOU.

# ÍNDICE

|  |    |
|--|----|
| ¡Gracias por elegir TOTO! .....            | 9  |
| Herramientas que necesita .....            | 9  |
| Piezas Incluidas .....                     | 9  |
| Cuidado y limpieza .....                   | 9  |
| Antes de la instalación.....               | 10 |
| Procedimiento de instalación.....          | 10 |
| Instrucciones de mantenimiento.....        | 12 |
| Sustitución de la válvula de drenaje ..... | 14 |
| Instrucciones de limpieza CEFIONTECT®..... | 14 |
| Garantía.....                              | 15 |

## ¡GRACIAS POR ELEGIR TOTO!

La misión de TOTO es dar al mundo estilos de vida más saludables, higiénicos y cómodos. Diseñamos cada producto guiándonos por el principio del equilibrio entre forma y función. Felicitaciones por su elección.

## HERRAMIENTAS QUE NECESITA

- |  |  |
|--|--|
| <ul style="list-style-type: none"> <li>• Llave Adjustable de 10"</li> <li>• Nivel de Carpintero</li> <li>• Cinta para Medir</li> <li>• Pinzas</li> </ul> | <ul style="list-style-type: none"> <li>• Destornillador</li> <li>• Espátula para Masilla</li> <li>• Taladro</li> </ul> |
|--|--|

### MATERIALES NECESARIOS:

- |   |  |
|---|--|
| <ul style="list-style-type: none"> <li>• Tubo Abastecedor / Conector</li> <li>• Tope de Suministro</li> </ul> | <ul style="list-style-type: none"> <li>• Pernos de Montaje (Cantidad 2)</li> <li>• Sello / Anillo de Cera</li> </ul> |
|---|--|

## PIEZAS INCLUIDAS

Asegúrese de que tiene todas las piezas del empaque:



Recipiente de Porcelana



Tapa



a. Tapa del perno (plastico) - 2



b. Base (plastico) - 2

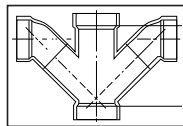
## CUIDADO Y LIMPIEZA

### AVISO: NO UTILICE LIMPIADORES EN EL RECIPIENTE DEL TANQUE

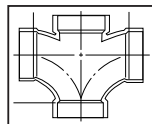
El uso de cloro en alta concentración o productos derivados del cloro puede dañarse-riamente los accesorios en el tanque. Este daño puede ocasionar fugas y daños en la propiedad. TOTO® no se hará responsable por fallas o daños en los accesorios del tanque causados por el uso de limpiadores en el recipiente del tanque.

## ANTES DE LA INSTALACIÓN

- Lea estas instrucciones detenidamente antes de comenzar a trabajar.
- Proporcione las instrucciones a los clientes. Estas instrucciones contienen información sobre el mantenimiento y la garantía.
- Si es necesario, quite el inodoro existente.



Doble Combinación WYE / 1/8 Curva  
**SÍ**

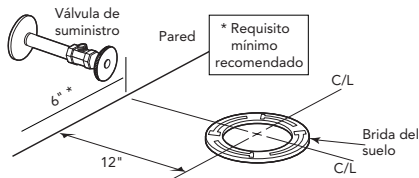


Doble Sanitarias T / Sanitarias Cruz  
**NO**

### ¡IMPORTANTE!

Debido a la potente rendimiento de nuestro Ciclón, G-Max, S-Max y la gravedad de alimentación de agua corriente, no se precisan para las instalaciones de "back-to-back". La única forma de instalar estos baños en una situación de "back-to-back" es cuando las conexiones del desagüe WC incorporar un accesorio estrella. Por favor, póngase en contacto con su constructor o contratista antes de esta instalación.

A fin de que su nuevo inodoro TOTO se adapte correctamente controle las dimensiones que figuran debajo:



## PROCEDIMIENTO DE INSTALACIÓN

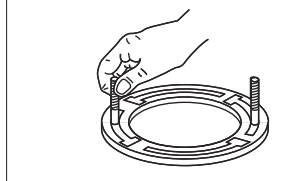
- 1) Limpie la suciedad de la brida del suelo, luego instale los pernos de montaje en las ranuras de la brida. (ver Ill. 1). El perno debe insertarse en la ranura con la cabeza hacia abajo y el vástago roscado apuntando hacia arriba.
- 2) Dé vuelta el excusado con mucho cuidado de modo que quede mirando hacia abajo sobre un acolchado. Presione firmemente un nuevo sello de cera (no suministrado) sobre el encastre circular alrededor de la apertura de la salida. Levante el excusado en dirección vertical y suavemente bájelo hasta colocarlo sobre la brida del suelo y los pernos. Con el excusado debidamente alineado, presione firmemente a ambos lados del borde del excusado para fijar el sello de cera.

**PRECAUCIÓN:** No mueva la conexión de salida una vez que fijó el sello de cera.

- 3) Inserte la base de la tapa, la rondana y las tuercas roscada en los pernos y ajústelas. Luego ajuste los pernos con una media vuelta adicional. Instale las tapas de los pernos (ver Ill. 2).

**NOTA:** Si la tapa no se adapta correctamente, verifique que la base de la misma se haya colocado del lado correcto según se indica con THIS END UP (ESTA PARTE HACIA ARRIBA). O bien, verifique que el perno de montaje no interfiera con la tapa. Corte el largo del perno CON MUCHO CUIDADO para que la tapa se adapte correctamente. **ADVERTENCIA:** No ajuste demasiado las tuercas, podría ocasionar daños en la porcelana.

Ill. 1



Ill. 2



## PROCEDIMIENTO DE INSTALACIÓN

- 4) Descargue el agua a través de un suministro flexible (no suministrado) antes de conectarlo a la llave del flotador o de llenado. Haga correr agua en un balde o recipiente similar, hasta que hayan salido toda la suciedad o los minerales del suministro flexible para asegurarse de que la válvula de llenado no se contamine. Conecte el suministro flexible a la llave del flotador o vástago de la válvula de llenado utilizando un tubo flexible de cobre cromado o similar (ver III. 3).

**PRECAUCIÓN:** No ajuste demasia la tuerca de la válvula de llenado.

Encienda el agua cuando de interrumpa el suministro y verifique que no haya pérdida de agua en las conexiones. Vuelva a ajustar las conexiones, si fuera necesario. (Placa de guarnición, niple, válvula y suministro flexible: no suministrados.)

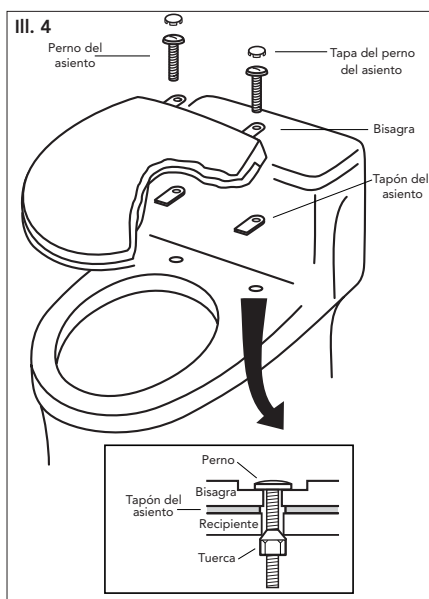
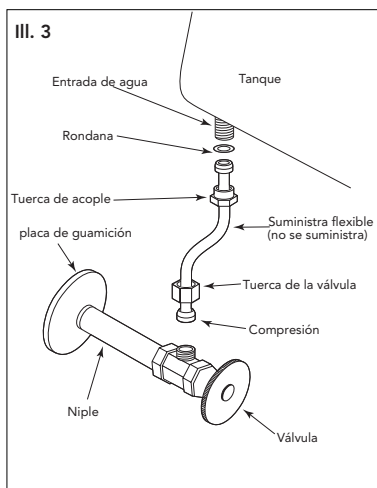
- 5) **NOTA:** No es necesario ajustar la válvula de relleno / llave de flotador. El agua se detendrá al nivel apropiado de forma automática.

Tire la cadena varias veces. Controle que la válvula de drenaje funcione adecuadamente. Asegúrese de que la cadena no esté enredada y que la válvula de drenaje se encuentre en la posición correcta.

- 6) Instale la tapa del tanque del inodoro sobre la parte superior del tanque del inodoro.
- 7) Instale el asiento del inodoro sobre el recipiente del mismo (ver Ilustración 4). (Se incluye el conjunto de pernos de montaje superior con el recipiente). Inserte las tuercas revestidas de goma en los orificios del asiento del recipiente.

**NOTA:** retire el asiento existente si fuera necesario.

Coloque el asiento sobre el recipiente y gire la unidad de charnelas hasta alcanzar la ubicación correcta mientras sostiene el asiento contra el recipiente. Ajuste los pernos desde la parte superior con el destornillador. Vuelva a colocar la tapa del perno y baje la tapa (si fuera necesario).



## INSTRUCCIONES DE MANTENIMIENTO

### Procedimiento de reemplazo de la válvula de llenado

- 1) Cierre el suministro de agua al excusado.
- 2) Tire la cadena y retire el agua restante del tanque con una esponja.
- 3) Quite la conexión del suministro de agua de la válvula de llenado.
- 4) Quite la válvula de llenado anterior y utilice la esponja húmeda para limpiar el orificio del tanque.
- 5) Coloque la válvula de llenado nueva en el orificio del tanque.
- 6) Enrosque la tuerca de montaje en el vástago de la válvula de llenado y ajuste la tuerca.

**NOTA:** No ajuste demasiado. Asegúrese de instalar la válvula de llenado en una posición que no interfiera con el funcionamiento de la palanca de descarga.

- 7) Conecte el suministro de agua al vástago de la válvula de llenado y sólo ajústelo manualmente.

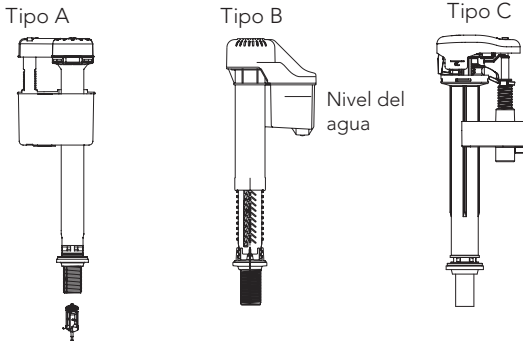
**NOTA:** No ajuste demasiado. Éstas son piezas plásticas. No utilice lubricante en ninguna conexión de suministro de agua.

- 8) Conecte el tubo de relleno al niple de la válvula y sujete el otro extremo del tubo de relleno al tubo de desagüe.
- 9) Abra el suministro de agua y verifique que no haya pérdida de agua fuera del tanque.

**NOTA:** A medida que el agua llene el tanque, también será derivada al tubo de desagüe a través del tubo de relleno. Este flujo de agua adicional es fundamental para rellenar el recipiente del excusado. Una vez que el tanque está lleno y el suministro de agua se interrumpe, es probable que caigan algunas gotas de agua residual de la válvula de llenado. Esto es NORMAL y las gotas dejarán de caer.

### Ajuste del nivel del agua

Dependiendo de la planta de fabricación, usted debe tener una de las siguientes válvulas de llenado:

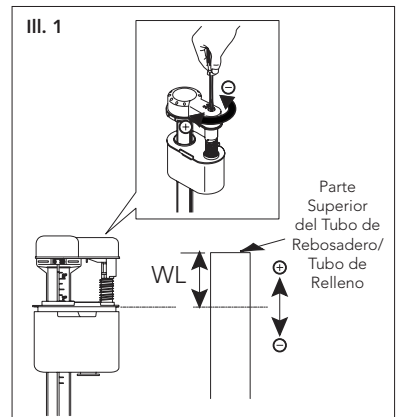


Para una Válvula de Llenado Tipo A y Tipo C:

Refere a la marca para el nivel de agua (WL) en la pared interior del tanque. Permita que el agua llene el tanque. Gire el tornillo de ajuste en el sentido de las agujas del reloj en la dirección (+) para aumentar la altura del nivel del agua. (ver Ilustración 1). Gire el tornillo en sentido contrario a las agujas del reloj en la dirección (-) para disminuir la altura del nivel del agua. Tire la cadena para verificar el nivel correcto del ajuste si es necesario.

Para la Válvula Tipo B:

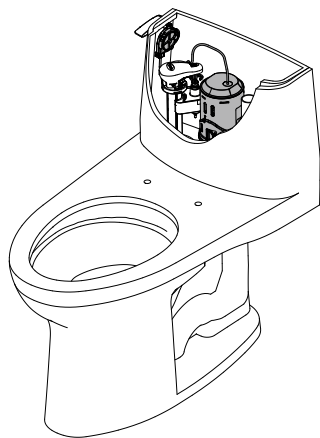
No hay ajustes de niveles de agua. La válvula de llenado se ha predeterminado de fábrica.



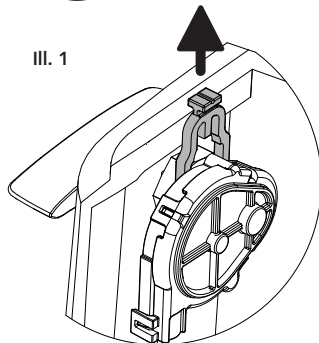
## INSTRUCCIONES DE MANTENIMIENTO

### Reemplazo de la válvula de descarga (modelos CST604CUF\* y CST814CUF\*)

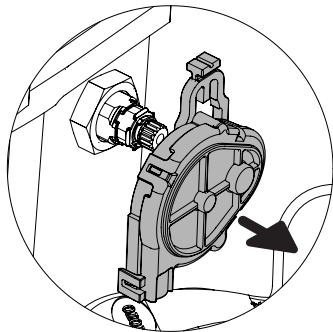
- 1) Cierre el suministro de agua y descargue el inodoro.
- 2) Quite la tapa del tanque y déjela invertida sobre una superficie limpia.
- 3) Levante la traba ubicada en la parte superior de la caja de cambios de la palanca de descarga como se muestra.
- 4) Retire la caja de cambios y deje a un lado como se muestra. (ver III. 1 y III. 2)
- 5) Rote y tire hacia arriba la torre de descarga para quitarla. (ver III.3)
- 6) Quite la junta de sello de goma gris y enjuéguela bajo el chorro de agua corriente para limpiarla. (ver III.4)
- 7) Coloque la junta nuevamente sobre la torre de descarga.
- 8) Alinee y coloque la torre de descarga sobre la base y presiónela suavemente para que entre y se asegure en su lugar.
- 9) Vuelva a colocar la caja de cambios de la palanca de descarga y presione la traba para que la caja quede asegurada en su lugar.
- 10) Coloque nuevamente la tapa con cuidado sobre el tanque.
- 11) Descargue el inodoro varias veces a fin de asegurarse de que la palanca de descarga funcione normalmente.
- 12) Controle que el nivel de agua del inodoro sea el adecuado y que no haya pérdidas.



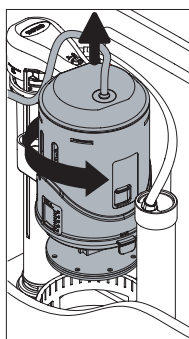
III. 1



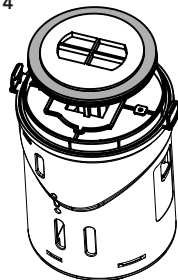
III. 2



III. 3



III. 4



\* denota otras opciones

## INSTRUCCIONES DE MANTENIMIENTO

### Sustitución de la válvula de drenaje

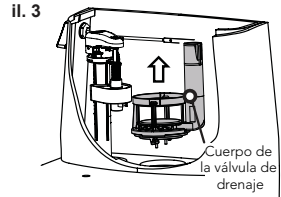
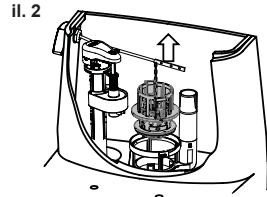
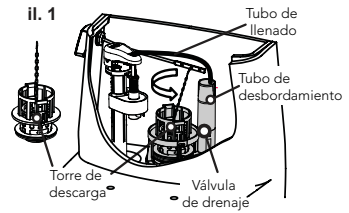
- 1) Cierre el suministro de agua.
- 2) Descargue el inodoro para eliminar el agua del tanque.
- 3) Retire la tapa del tanque y colóquela en un lugar seguro.

**NOTA:** Antes de retirar nada del tanque, tenga en cuenta la ubicación de la válvula de drenaje, de la cadena y del tubo de llenado.

- 4) Desenganche el tubo de llenado del tubo de desbordamiento de la válvula de drenaje.
- 5) Abra la unidad de torre de descarga girándola en sentido antihorario con el gancho de la cadena todavía unido a la palanca de activación (ilust. 1).
- 6) Desenganche la cadena de la palanca de activación y retire la unidad de torre de descarga (ilust. 2).
- 7) Afloje los tornillos del cuerpo de la válvula de drenaje.

**IMPORTANTE!** Asegúrese de no girar más de siete vueltas completas, ya que el bloque de montaje negro puede caer en el canal de agua.

- 8) Retire el cuerpo de la válvula de drenaje del tanque (ilust. 3).
- 9) Sustituya la válvula de drenaje colocándola en la misma posición que la válvula de drenaje anterior.
- 10) Ajuste los tornillos aplicando torsión ligera sobre cada tornillo antes de la torsión final en los tornillos.
- 11) Instale la unidad de torre de descarga sobre el cuerpo de la válvula de drenaje y gire en sentido horario para bloquear la pieza.
- 12) Enganche la cadena y el tubo de llenado de nuevo en su ubicación original.
- 13) Abra el suministro de agua y, cuando el tanque esté lleno, compruebe si hay fugas.



## INSTRUCCIONES DE LIMPIEZA DE CEFIONTECT®



### ¿QUÉ ES CEFIONTECT®?

CEFIONTECT® es el esmalte permanente súper suave de TOTO que evita que los desechos se peguen a las superficies. Los productos con la letra "G" en el número tienen el esmalte CEFIONTECT®. Este esmalte, junto con una limpieza regular, ayudará a mantener su producto TOTO en perfectas condiciones.

#### NOTA:

Para la limpieza regular de su producto TOTO con CEFIONTECT®:

- Lavabo: Use detergente para platos y un paño suave.
- Inodoro: Use limpiador a base de gel y un cepillo plástico de cerdas suaves.
- **No use** limpiadores, polvos pulidores o detergentes que tengan partículas arenosas o gruesas.
- **No use** lejía, diluyentes químicos o productos que incluyan detergentes ácidos o alcalinos en sus ingredientes.
- **No utilice** cepillos metálicos para fregar ni lana de acero.

Si sigue estas instrucciones de limpieza, se asegurará de que el esmalte CEFIONTECT® de su producto TOTO permanezca intacto, manteniéndolo hermoso durante muchos años.



Sin CEFIONTECT®



Con CEFIONTECT®



# GARANTÍA

1. TOTO® garantiza que su vitreos china producto no presenta defectos en sus materiales ni de fabricación durante su uso normal cuando es instalado y mantenido adecuadamente, por un periodo de uno (1) año(s) a partir de la fecha de compra. Esta garantía limitada es válida solamente para el COMPRADOR ORIGINAL del Producto y no es transferible a una tercera persona, incluyendo, pero sin limitarse a, cualquier comprador o propietario subsecuente del Producto. Esta garantía aplica solamente al Producto TOTO comprado e instalado en América del Norte, Central, Latina y del Sur.
2. Las obligaciones de TOTO bajo esta garantía se limitan a la reparación, cambio o cualquier otro ajuste, a petición de TOTO, del Producto o partes que resulten defectuosas en su uso normal, siempre que dicho Producto haya sido instalado, utilizado y mantenido de acuerdo con las instrucciones. TOTO se reserve el derecho de hacer tantas inspecciones como sean necesarias para determinar la causa del defecto. TOTO no cobrará por la mano de obra o partes relacionadas con las reparaciones o cambios garantizados. TOTO no es responsable por el costo de la remoción, devolución y/o reinstalación del Producto.
3. Esta garantía no aplica en los siguientes casos:
  - a) Daño o pérdida ocurrida en un desastre natural, tal como: incendio, sismo, inundación, relámpago, tormenta eléctrica, etc.
  - b) Daño o pérdida resultado de cualquier accidente, uso inaceptable, mal uso, abuso, negligencia o cuidado, limpieza o mantenimiento inadecuado del Producto.
  - c) Daño o pérdida causada por los sedimentos o material extraña contenida en un sistema de agua.
  - d) Daño o pérdida causada por una mala instalación o por la instalación del Producto en un ambiente duro y/o peligroso, o una remoción, reparación o modificación inadecuada del Producto.
  - e) Daño o pérdida causada por sobrecargas eléctricas o rayos u otros actos que no sea responsabilidad de TOTO o que el Producto no esté especificado para tolerar.
  - f) Daño o pérdida causada por el uso normal y personalizado, tal como reducción del brillo, rayado o pérdida de color en el tiempo debido al uso, prácticas de limpieza o condiciones del agua o atmosféricas.
  - g) Mecanismos de lavado de tanques de piezas móviles de plástico o caucho.
  - h) Asientos de inodoro de plástico, madera o metal.
4. Para que esta garantía limitada sea válida, prueba de compra es necesaria. TOTO anima el registro de la garantía sobre compra para cree un archivo de la propiedad del producto en <http://www.totousa.com>. El registro del producto es totalmente voluntario y la falta a registrar no disminuirá sus derechos de garantía limitada.

5. ESTA GARANTÍA LE DA DERECHOS LEGALES ESPECÍFICOS. USTED PODRÍATENER OTROS DERECHOS QUE PUEDEN VARIAR DEPENDIENDO DEL ESTADO O PROVINCIA EN EL QUE SE ENCuentRE.

6. Para obtener el servicio de reparación de esta garantía, debe llevar el Producto o enviarlo prepagado a un modulo de servicios TOTO junto con la prueba de compra (recibo de compra original) y una carta en la que plantee el problema, o póngase en contacto con un distribuidor TOTO o el contratista de servicio de los productos, o escriba directamente a TOTO U.S.A., INC., 1155 Southern Road, Morrow, GA 30260 (678) 466-1300 o (888) 295-8134, si fuera de los E.E.U.U. Si, debido al tamaño del producto o naturaleza del defecto, el Producto no puede ser devuelto a TOTO, la recepción en TOTO del aviso escrito del defecto junto con la prueba de compra (recibo de compra original) constituirá el envío. En tal caso, TOTO podrá escoger entre reparar el Producto en el domicilio del comprador o pagar el transporte del Producto a un módulo de servicio.

AVISO TOTO no será responsable de fallas o daños ocasionados en este producto de plomería o componente del producto causados por cloraminas en el tratamiento del suministro de agua pública o en los limpiadores en el recipiente del tanque que contengan cloro (hipoclorito de calcio). Nota: el uso de cloro en alta concentración o productos derivados del cloro puede dañar seriamente los accesorios. Este daño puede ocasionar fugas y daños graves en la propiedad. Para obtener más información, llámenos al (888) 295-8134.

ESTA GARANTÍA ESCRITA ES LA ÚNICA GARANTÍA HECHA POR TOTO. LA REPARACIÓN, CAMBIO U OTRO AJUSTE ADECUADO, TAL COMO APARECE EN ESTA GARANTÍA, SERÁ EL ÚNICO REMEDIO DISPONIBLE PARA EL COMPRADOR ORIGINAL. TOTO NO SERÁ RESPONSABLE POR LA PÉRDIDA DEL PRODUCTO O POR CUALQUIER OTRO DAÑO ACCIDENTAL, ESPECIAL O CONSECUENTE O POR DAÑOS INCURRIDOS POR EL COMPRADOR ORIGINAL, O POR LA MANO DE OBRA U OTROS COSTOS RELACIONADOS CON LA INSTALACIÓN O REMOCIÓN, O COSTOS DE REPARACIONES HECHAS POR OTROS, O POR CUALQUIER OTRO GASTO NO INDICADO DE MANERA ESPECÍFICA EN LOS PÁRRAFO ANTERIORES. EN NINGÚN CASO LA RESPONSABILIDAD DE TOTO EXCEDERÁ EL PRECIO DE COMPRA DEL PRODUCTO. EXCEPTO EN LA MEDIDA EN QUE QUEDE PROHIBIDO POR LA LEYAPLICABLE. TODA GARANTÍA IMPLÍCITA, INCLUYENDO AQUELLAS DE COMERCIABILIDAD O IDONEIDAD DE USO PARA EL USO O PARA UN PROPÓSITO PARTICULAR, ESTÁ EXPRESAMENTE PROHIBIDA. ALGUNOS ESTADOS NO PERMITEN LAS LIMITACIONES ACERCA DE LA DURACIÓN DE UNA GARANTÍATÁCITA, O LA EXCLUSIÓN O LIMITACIÓN DE DAÑOS INCIDENTALES O CONSECUENTES, POR LO QUE LA LIMITACIÓN E INCLUSIÓN ANTERIORES PUEDEN NO APLICAR A USTED.

## TABLE DES MATIÈRES

|   |    |
|---|----|
| Merci d'avoir choisi TOTO! .....            | 16 |
| Outils communs nécessaires .....            | 16 |
| Pièces incluses .....                       | 16 |
| Entretien et nettoyage .....                | 16 |
| Avant l'installation .....                  | 17 |
| Procédure d'Installation .....              | 17 |
| Instructions d'entretien .....              | 18 |
| Instructions de nettoyage CEFIONTECT® ..... | 21 |
| Garantie .....                              | 22 |

## MERCI D'AVOIR CHOISI TOTO!

La mission de TOTO est d'offrir au monde entier un style de vie sain, hygiénique et plus confortable. Comme principe de base, nous concevons chaque produit avec un équilibre entre la forme et la fonction. félicitations pour votre choix.

## OUTILS COMMUNS NÉCESSAIRES

- Clé à Molette de 10 po.
- Niveau à Bulle d'Air
- Mètre à Ruban
- Pince
- Tournevis
- Couteau à Mastiquer
- Perceuse

### MATERIEL REQUIS:

- Tuyau d'alimentation / Raccord
- Robinet d'Arrêt
- Boulons de Montage (2)
- Rondelle en Caoutchouc / Joint

## PIÈCES INCLUSES

Assurez-vous d'avoir toutes ces pièces dans l'emballage :



Cuvette avec Couvercle en  
Porcelaine Vitriifiée



Couvercle



a. Cache  
(plastique) - 2



b. Base (plastique)  
- 2

## ENTRETIEN ET NETTOYAGE

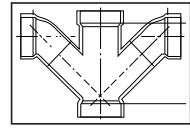
### AVERTISSEMENT:

NE PAS UTILISER DE PRODUITS DE NETTOYAGE DE CUVETTE DANS LE RÉSERVOIR

L'utilisation de chlore ou de produits à base de chlore à forte concentration peut endommager sérieusement les joints du réservoir. L'endommagement des joints de réservoir peut provoquer des fuites et/ou des dommages matériels. TOTO® ne pourra être tenu responsable ou impliqué dans aucune panne ou dommage lié au joint du réservoir et provoqué par l'utilisation de produits de nettoyage de cuvette dans le réservoir.

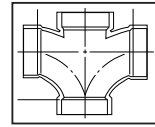
## AVANT L'INSTALLATION

- Lisez attentivement ces instructions avant toute installation.
- Mettez la notice d'utilisation à l'attention des clients de côté.  
Ces instructions comprennent des informations relatives à l'entretien et à la garantie.
- Si nécessaire, retirez le WC existant.



Combinaison Double WYE / 1/8 Coude

OUI



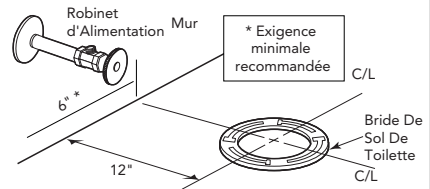
Double Sanitaires T / Sanitaires de la Croix

NON

### IMPORTANT!

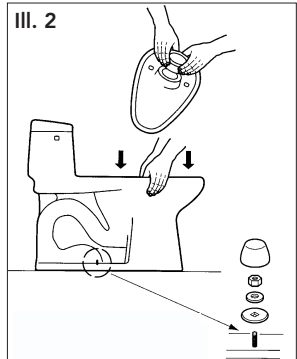
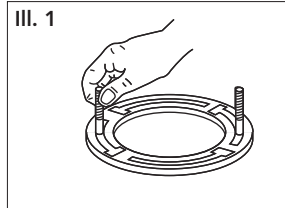
En raison de la performance de nos puissants cyclones, G-Max, E-Max et la puissance de pesanteur chasses d'eau, ils ne sont pas précisés pour les installations de back-to-back. Le seul moyen de l'installation de ces toilettes dans une situation de back-to-back, c'est quand les connexions du drain de toilette incorporer un raccord de Wye. S'il vous plaît contacter votre constructeur ou l'entrepreneur avant cette installation.

Afin que votre nouvelle toilette TOTO s'adapte correctement, vérifiez les dimensions ci dessous:



## PROCÉDURE D'INSTALLATION

- 1) Enlever tous les débris présents au niveau de la bride des toilettes, puis installer les boulons de support (non fournis) dans les orifices de la bride (voir III.1). Les boulons doivent être introduits dans les orifices de telle manière que leur tête soit placée en bas et que la tige fileté soit orientée vers le haut.
- 2) Renvoyer les toilettes soigneusement sur des tampons de protection. Serrer fermement un joint en cire neuf (non fourni) au niveau de la cavité circulaire, autour de l'orifice d'écoulement. Remettre les toilettes à l'endroit et les positionner doucement sur la bride des toilettes et les boulons. Lorsque les toilettes sont correctement positionnées, appuyer fermement des deux côtés des toilettes afin de sceller le joint en cire.



- ATTENTION!** Ne pas bouger les toilettes une fois que le joint en cire est en place.
- 3) Insérer la base du cache, la rondelle et les écrous filetés sur les boulons et serrer manuellement (voir III. 2).  
**REMARQUE:** Si le cache ne se positionne pas correctement, vérifier que le côté de la base du cache orienté vers le haut est le bon : THIS END UP. Vérifier également si le boulon de support gêne à la mise en place du cache. Couper SOIGNEUSEMENT l'extrémité de la tige du boulon pour pouvoir positionner le cache.  
**ATTENTION!** Ne pas trop serrer les écrous car cela pourrait endommager la porcelaine.

## PROCÉDURE D'INSTALLATION

- 4) Purger l'eau à l'aide du flexible (non fourni) avant de procéder à la connexion au robinet à flotteur / de remplissage. Faire couler l'eau dans un seau ou un récipient similaire jusqu'à ce que tous les débris / produits non organiques soient éliminés du flexible, afin de ne pas contaminer le robinet de remplissage. Raccorder le flexible à la tige du robinet à flotteur / de remplissage en utilisant un tuyau connecteur flexible en chrome-cuivre ou un connecteur équivalent (voir III. 3).

**ATTENTION!** Ne pas trop serrer l'écrou du robinet de remplissage.

Ouvrir l'arrivée d'eau au robinet d'alimentation et rechercher une éventuelle fuite au niveau des raccordements. Resserrer légèrement les connexions si nécessaire. The water supply pressure should be 20 to 80 psi static. (La pression de l'alimentation en eau statique doit être comprise entre 20 et 80 psi (138-551 kPa). (Plaque murale, manchon, robinet et flexible –non fourni.)

- 5) **REMARQUE :** Aucun flotteur / remplissage des ajustements sont nécessaires valve. L'eau s'arrête automatiquement au niveau correct.

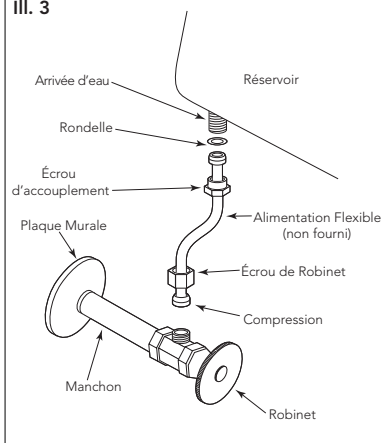
Tirez plusieurs fois la chasse d'eau. Vérifiez que le vanne de vidange fonctionne correctement. Assurez-vous que la chaîne n'est pas entortillée et que le vanne de vidange est dans sa position adéquate.

- 6) Installez le couvercle du réservoir des toilettes sur la partie supérieure du réservoir des toilettes.
- 7) Installez la lunette des toilettes sur la cuvette des toilettes (voir Illustration 4). (L'ensemble des boulons de montage est compris dans la cuvette). Insérez les écrous de la bague en caoutchouc dans les orifices du siège de la cuvette des toilettes.

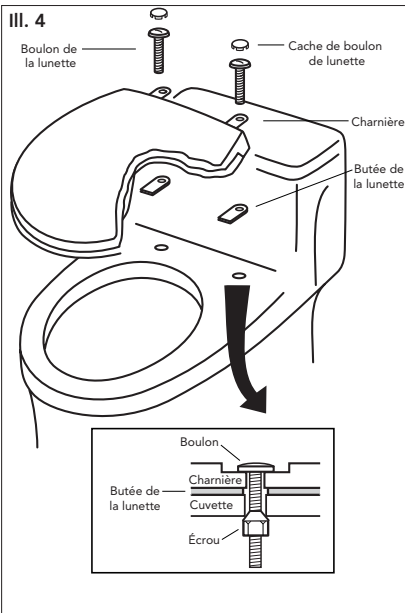
**REMARQUE :** Retirez la lunette existante si nécessaire.

Placez la lunette sur la cuvette et faire tourner la charnière pour la positionner tout en maintenant la lunette sur la cuvette. Fixez et vissez le boulon par le dessus à l'aide d'un tournevis. Remplacer le cache boulon et le couvercle inférieur (si nécessaire).

III. 3



III. 4



## INSTRUCTIONS D'ENTRETIEN

- 1) Couper l'arrivée d'eau du toilette.
- 2) Tirer la chasse d'eau et retirer l'eau restant dans le réservoir à l'aide d'une éponge.
- 3) Retirer la connexion d'alimentation d'eau au niveau du robinet de remplissage.
- 4) Retirer l'ancien robinet de remplissage et utiliser une éponge humide pour nettoyer l'orifice du réservoir.
- 5) Placer le robinet de remplissage neuf dans l'orifice du réservoir.

## INSTRUCTIONS D'ENTRETIEN

### Procédure de remplacement

6) Visser l'écrou de fixation sur la tige du robinet de remplissage et serrer l'écrou.

**REMARQUE :** Ne pas trop serrer. Veiller à installer le robinet de remplissage dans une position qui ne gêne pas le fonctionnement du levier de déclenchement.

7) Connecter l'arrivée d'eau à la tige du robinet de remplissage et serrer manuellement.

**REMARQUE :** Ne pas trop serrer. Il s'agit de pièces en plastique. Ne jamais utiliser de pâte à joint au niveau d'une connexion d'arrivée d'eau.

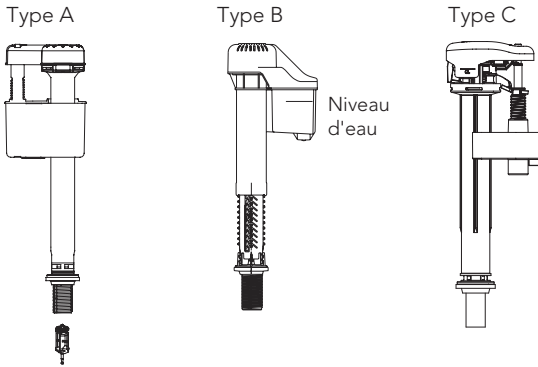
8) Attacher le tuyau de remplissage sur le manchon du robinet de remplissage et fixer l'autre extrémité du tuyau de remplissage sur le tuyau de trop-plein.

9) Ouvrir l'arrivée d'eau et rechercher d'éventuelles fuites à l'extérieur du réservoir.

**REMARQUE :** Lorsque l'eau remplit le réservoir, elle est également acheminée vers le tuyau de trop-plein, via le tuyau de remplissage. Ce flux d'eau supplémentaire est essentiel pour remplir la cuvette du toilette. Une fois que l'eau cesse de remplir le réservoir, il est possible que des gouttes d'eau résiduelles tombent du robinet de remplissage. Ceci est NORMAL et s'arrêtera rapidement.

### Réglage de niveau d'eau

Suivant l'usine de fabrication, vous pouvez disposer de l'un robinets de remplissage suivants:

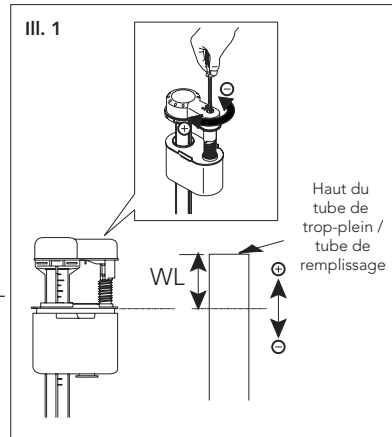


Pour le Valve de Remplissage de Type A et Type C:

Reportez-vous au niveau de l'eau (WL) contexte marqué sur la paroi intérieure du réservoir. Laissez l'eau pour remplir le réservoir. Tournez la vis de réglage dans le sens des aiguilles d'une montre dans la direction (+) pour augmenter la hauteur du niveau d'eau. Tournez la vis de réglage dans le sens contraire des aiguilles d'une montre dans la direction (-) pour réduire la hauteur du niveau d'eau. Tirez la chasse d'eau pour vérifiez que le niveau de l'eau est correct. Ajustez si nécessaire (voir Illustration 1).

Pour le Valve de Remplissage de Type B:

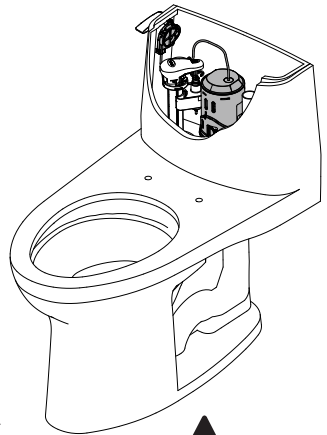
Pas besoin d'ajuster le niveau d'eau avec la valve de remplissage de Type B. La valve de remplissage a été réglée à l'usine.



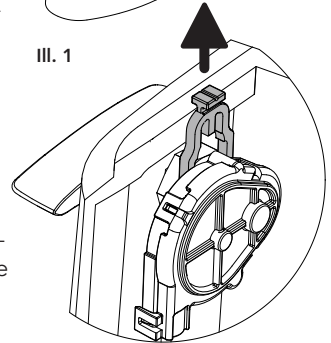
## INSTRUCTIONS D'ENTRETIEN

### L'entretien du robinet de chasse (modèles CST604CUF\* et CST814CUF\*)

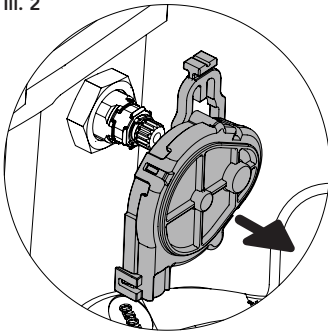
- 1) Coupez l'alimentation en eau et tirez la chasse d'eau.
- 2) Déposez le couvercle du réservoir et posez-le à l'envers sur une surface propre.
- 3) Tirez la barrette sur le dessus de la boîte d'engrenages du levier de déclenchement, comme illustré.
- 4) Retirez la boîte d'engrenages et mettez-la de côté, comme illustré. (voir III. 1 et III. 2)
- 5) Tournez la colonne de la chasse d'eau et remontez-la pour la déposer. (voir III. 3)
- 6) Déposez le joint d'étanchéité en caoutchouc et rincez à l'eau courante pour nettoyer. (voir III.4)
- 7) Remplacez le joint d'étanchéité sur la colonne de la chasse d'eau.
- 8) Alignez la colonne de la chasse d'eau et placez-la dans le boîtier, puis appuyez dessus légèrement pour la bloquer et la verrouiller en place.
- 9) Remplacez la boîte d'engrenages du levier de déclenchement et appuyez sur la barrette pour la verrouiller en place.
- 10) Reposez avec précaution le couvercle du réservoir sur le réservoir.
- 11) Tirez la chasse d'eau plusieurs fois pour vous assurer que le levier de déclenchement fonctionne normalement.
- 12) Vérifiez le niveau d'eau dans le réservoir et assurez-vous qu'il n'y a pas de fuites.



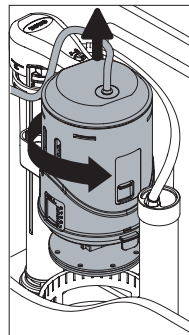
III. 1



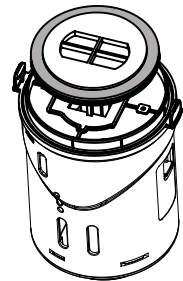
III. 2



III. 3



III. 4



\* indique d'autres options

## INSTRUCTIONS D'ENTRETIEN

### Remplacement d'une valve du drain

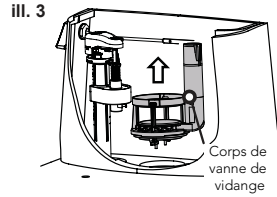
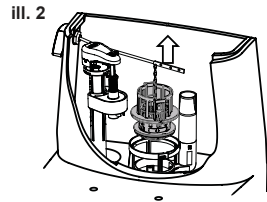
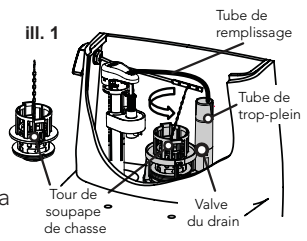
- 1) Fermez l'arrivée en eau.
- 2) Actionnez la chasse d'eau de la toilette pour retirer l'eau du réservoir.
- 3) Retirez le couvercle du réservoir et placez-le dans un endroit sécurisé.

**REMARQUE:** Avant de retirer quoi que ce soit du réservoir, notez l'emplacement de la valve du drain, de la chaîne et du tube de remplissage.

- 4) Débranchez le tube de remplissage du tube de trop-plein de la valve du drain.
- 5) Détachez l'unité de la chasse d'eau en tournant dans le sens antihoraire en ayant le crochet de la chaîne accroché au levier de déclenchement (ill. 1).
- 6) Débranchez la chaîne du levier de déclenchement et retirez-la de l'unité de la chasse d'eau (ill. 2).
- 7) Dévissez les vis du corps de la valve du drain.

**IMPORTANT:** Assurez-vous de ne pas tourner plus de sept tours complets, car le bloc de montage noir peut tomber dans la conduite d'eau.

- 8) Retirez le corps de la valve du drain du réservoir (ill. 3).
- 9) Remplacez la valve du drain dans la même position que l'ancienne valve du drain.
- 10) Serrez les vis, en exerçant un serrage léger sur chaque vis avant le serrage final des vis.
- 11) Installez l'unité de la chasse d'eau sur le corps de la valve du drain et tournez dans le sens horaire pour attacher la pièce.
- 12) Accrochez la chaîne et remplissez le tube à son niveau d'origine.
- 13) Ouvrez l'arrivée en eau et lorsque le réservoir est rempli, vérifiez s'il y a des fuites.



## INSTRUCTIONS DE NETTOYAGE CEFIONTECT®



### QU'EST-CE QUE CEFIONTECT®?

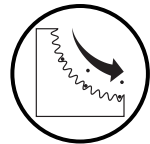
CEFIONTECT® est la glacer permanente ultra-lisse de TOTO qui empêche les débris de coller aux surfaces. Les produits avec la lettre «G» dans le numéro ont la glacer CEFIONTECT®. Cet émail, associé à un nettoyage régulier, aidera à garder votre produit TOTO en parfait état.

#### REMARQUE:

Pour un nettoyage régulier de votre produit TOTO avec CEFIONTECT®:

- Lavabo: utilisez un détergent à vaisselle et un chiffon doux.
- Toilette: utilisez un nettoyant à base de gel et une brosse en plastique à poils doux.
- **N'utilisez pas** de nettoyants, de poudres à polir ou de détergents contenant des particules granuleuses ou grossières.
- **N'utilisez pas** d'eau de Javel, de diluants chimiques ou de produits contenant des détergents acides ou alcalins dans leurs ingrédients.
- **N'utilisez pas** de brosses à récurer métalliques ou de laine d'acier.

Le respect de ces instructions de nettoyage, vous assurerez que le vernis CEFIONTECT® de votre produit TOTO reste intact, le gardant beau pendant de nombreuses années.



Pas de CEFIONTECT®



Avec CEFIONTECT®



## GARANTIE

1. TOTO® garantit sa vitreous china produits contre tout défaut de matériau et de fabrication pendant l'utilisation normale, lorsqu'elle est correctement installée et maintenue pour une période de une (1) ans à dater de l'achat. La présente garantie limitée ne peut être prolongée que pour le seul ACHETEUR D'ORIGINE de l'appareil et n'est pas transférable à un tiers, y compris mais pas limité à tout acheteur ou propriétaire subséquent du produit. Cette garantie n'est applicable qu'aux produits achetés et installés en Amérique du Nord, Centrale, Latine, et du Sud.
2. Les obligations de TOTO selon les termes de cette garantie sont limitées à la réparation, remplacement ou autre ajustement en conséquence, au choix de TOTO, des produits ou des pièces défectueuses en service normal, pourvu qu'un tel produit ait été installé, utilisé et entretenu conformément aux instructions. TOTO se réserve le droit d'effectuer ce genre de vérifications en cas de nécessité afin de déterminer la cause du défaut. TOTO ne facturera pas les interventions ou les pièces relatives à la réparation et au remplacement sous garantie. TOTO n'est pas responsable du coût de désinstallation, de renvoi et/ou de réinstallation de l'appareil.
3. La garantie ne s'applique pas dans les cas suivants:
  - a) Dommage ou perte suite à une cause naturelle telle que incendie, tremblement de terre, inondation, tonnerre, orage etc.
  - b) Dommage ou perte causés par tout accident, utilisation non adaptée, un abus, une négligence ou un mauvais traitement, nettoyage ou entretien de l'appareil.
  - c) Dommage ou perte causé par des sédiments ou tout autre corps étranger contenus dans un réseau d'alimentation en eau.
  - d) Dommage ou perte suite à une mauvaise installation ou à l'installation de l'appareil dans un environnement rude et/ou dangereux ou une mauvaise désinstallation, réparation ou m.
  - e) Dommage ou perte suite à des surtensions, foudres ou tous autres actes qui ne sont pas la responsabilité de TOTO, ou actes stipulés non supportables par le produit.
  - f) Dommage ou perte résultant d'une usure normale et habituelle, telle que la diminution du lustre, grattage ou décoloration avec le temps, habitude de nettoyage, l'eau, ou des conditions atmosphériques.
  - g) Mécanismes de rinçage des réservoirs de pièces mobiles en plastique ou en caoutchouc.
  - h) Sièges de toilette en plastique, bois ou métal.
4. Pour que la garantie limitée soit valable, la preuve d'achat est exigée. TOTO vous encourage à enregistrer votre produit après l'achat pour créer un record du propriétaire, cela peut être fait au site <http://www.totousa.com>. L'enregistrement du produit est complètement volontaire et à défaut de l'enregistrement ne va pas limiter votre droit au garantie limitée.
5. CETTE GARANTIE DONNE DES DROITS SPÉCIFIQUES. IL EST POSSIBLE QUE L'ACHETEUR AIT D'AUTRES DROITS QUI VARIENT DUN ÉTAT A UN AUTRE OU D'UNE PROVINCE À L'AUTRE.
6. Pour obtenir une réparation selon les termes de cette garantie, l'acheteur doit livrer à un centre de réparation de TOTO port payé avec preuve d'achat (reçu de caisse original), et une lettre expliquant le problème, ou contacter un distributeur de TOTO ou un entrepreneur de réparation du produit ou écrire directement à TOTO U.S.A., INC., Southern Road, Morrow, Géorgie 30260, (678) 466-1300 ou appelé (888) 295-8134, si en dehors de l'Etat Unis. Si, à cause de la taille du produit ou de la nature du défaut, il n'est pas possible de renvoyer le produit à TOTO, la réception par TOTO d'un avis écrit du défaut avec preuve d'achat (reçu de caisse original) constitue livraison. Dans un tel cas, TOTO peut choisir de réparer le produit chez l'acheteur ou de payer le transport du produit à un centre de réparation.

ATTENTION ! TOTO décline toute responsabilité quant aux panes ou aux dommages causés sur ce produit de plomberie ou composant du produit par la chloramine contenue dans le traitement de l'alimentation en eau publique ou dans les produits d'entretien pour réservoirs des toilettes contenant du chlore (hypochlorite de calcium). Remarque : l'utilisation d'une forte concentration de chlore ou de produits à base de chlore risque d'endommager sérieusement la tuyauterie. Ces dommages peuvent provoquer des fuites et des dégâts des eaux. Pour plus d'informations, contactez-nous au (888) 295-8134.

CETTE GARANTIE ÉCRITE EST LA SEULE GARANTIE FAITE PAR TOTO. LA RÉPARATION, LE REMPLACEMENT OU TOUT AUTRE AJUSTEMENT APPROPRIÉ SELON LES TERMES DE CETTE GARANTIE EST LE SEUL RECOURS DE L'ACHETEUR INITIAL. TOTO N'EST PAS RESPONSABLE DE LA PERTE DU PRODUIT OU DE TOUT AUTRE DOMMAGE INDIRECT, SPÉCIAL OU SECONDAIRE OU DES DÉPENSES ENCOURUES PAR L'ACHETEUR INITIAL NI DE LA MAIN-D'ŒUVRE OU AUTRES FRAIS ASSOCIÉS À L'INSTALLATION OU LA MANIPULATION, OU LES FRAIS DE RÉPARATION PAR DES TIERS, NI POUR TOUS AUTRES FRAIS PAS SPÉCIFIQUEMENT MENTIONNÉS. EN AUCUN CAS, LA RESPONSABILITÉ DE TOTO NE PEUT DÉPASSER LE PRIX D'ACHAT DU PRODUIT. SAUF QUAND INTERDITE PAR UNE LOI APPLICABLE, TOUTE GARANTIE SOUS-ENTENDUE, Y COMPRIS CELLE DE VENDABILITÉ OU D'APPLICATION POUR UN USAGE PARTICULIER, EST EXPRESSEMENT REJETÉ. CERTAINES PAYS NE PERMETTENT PAS LA LIMITATION DE LA LONGUEUR D'UNE GARANTIE SOUS-ENTENDUE, OU L'EXCLUSION OU LA LIMITATION DES DOMMAGES INDIRECTS OU SECONDAIRES, IL EST DONC POSSIBLE QUE CETTE LIMITATION ET EXCLUSION NE S'APPLIQUE PAS À VOTRE CAS.

**NOTES/NOTAS/REMARQUES**

# TOTO®

TOTO® U.S.A., Inc. 1155 Southern Road,  
Morrow, Georgia 30260  
Tel: 888-295-8134 Fax: 800-699-4889  
[www.totousa.com](http://www.totousa.com)

0GU013Z-17  
Rev Date: 10/25



#### Warranty Registration and Inquiry

For product warranty registration, TOTO U.S.A. Inc. recommends online warranty registration. Please visit our web site <http://www.totousa.com>. If you have questions regarding warranty policy or coverage, please contact TOTO U.S.A. Inc., Customer Service Department, 1155 Southern Road, Morrow, GA 30260 (888) 295-8134 or (678) 466-1300 when calling from outside of U.S.A.